

© Copyright by Meyle Products Gaertner GmbH



MEYLE[®]
Products

Strut mount

MEYLE No.

Reference No.

300 335 2101/HD

33 52 1 128 819

300 335 2102/HD

37 12 1 133 412

33 52 1 137 972

33 52 1 092 362

33 52 6 754 096

Exceeds OE Specifications
For information please check www.meyle.com or contact your sales person

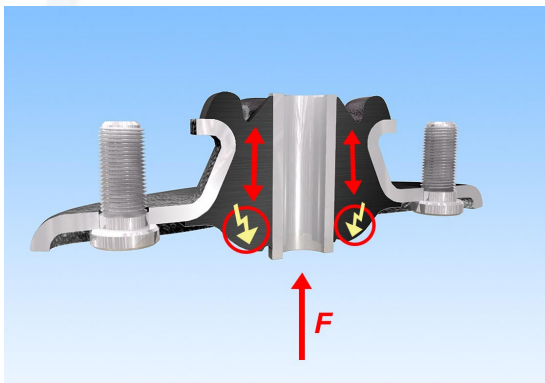
Strut mount

to fit

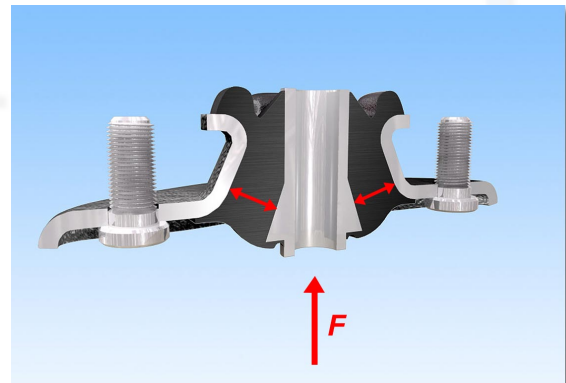
BMW (E30, E36, E46, Z1, Z3, Z4)

The strut mount of the BMW (E30, E36, E46, Z1, Z3, Z4) is a further spare part, which has come to the attention of MEYLE development through its high demand by our customers. The high demand is created as the middle bushing in the original design loosens itself from the rubber due to impulse loading. As rubber/metal bonding reacts critically to tensile and axial load, we have designed the inner bushing in such a way that the rubber/metal bonded surface only comes under strain from pressure.

as OE version



MEYLE version



Impulse loading from the chassis

Comparative tests have revealed a far longer working life, so that we are convinced that you have replaced this component on your vehicle for the last time. True to our motto:

MEYLE - Miles in Motion