



© Copyright by Meyle Products Gaertner GmbH



MEYLE[®]
Products

Strut mount

MEYLE No. 100 412 0020/HD
Reference No. 7 201 848
Reference No. 357 412 331 A
Reference No. 7M0 412 331

Exceeds OE Specifications
For information please check www.meyle.com or contact your sales person

Strut mount *to fit*

Ford *Galaxy*

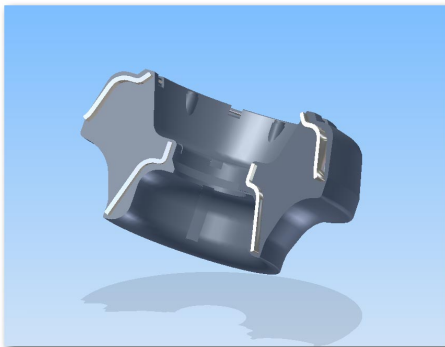
Seat *Alhambra, Cordoba, Cordoba Vario, Ibiza II, Inca, Toledo I*

VW *Caddy II, Corrado, Golf III, Vento, Passat (1990-1997), Polo (1996-2001), Sharan*

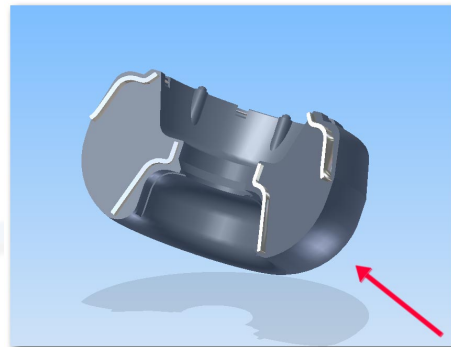
The front strut mount of the named models usually collapses noticeably after only a short service life. On poor roads or in vehicles with old shock absorbers, this soon results in loud noises from the front axle. The problem is compounded even further by sport chassis, harder shock absorbers and wide tyres.

The sectional drawing shown below clearly indicates how MEYLE has reinforced this strut mount with a permanent solution for this problem. Next time you change struts or shock absorbers, choose a new strut mount from MEYLE and you can rely on a heavy-duty, long-life product.

as OE version



MEYLE version



MEYLE - Miles in Motion