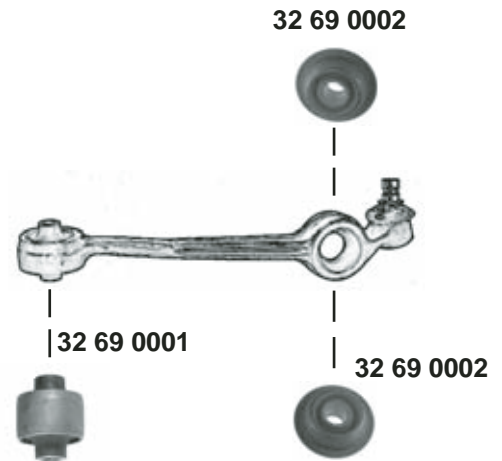
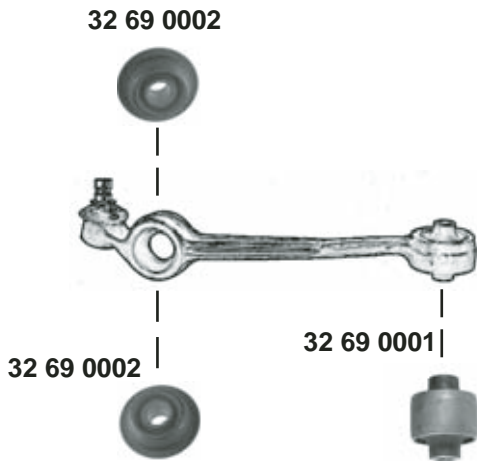




100 / 200
(1977 → 1982)



Ref. - No.



32 69 0001
32 69 0002

431 407 183 A
431 407 181 F

Querlenkerlager / control arm mount
Stabilisatorlager / stabilizer mount

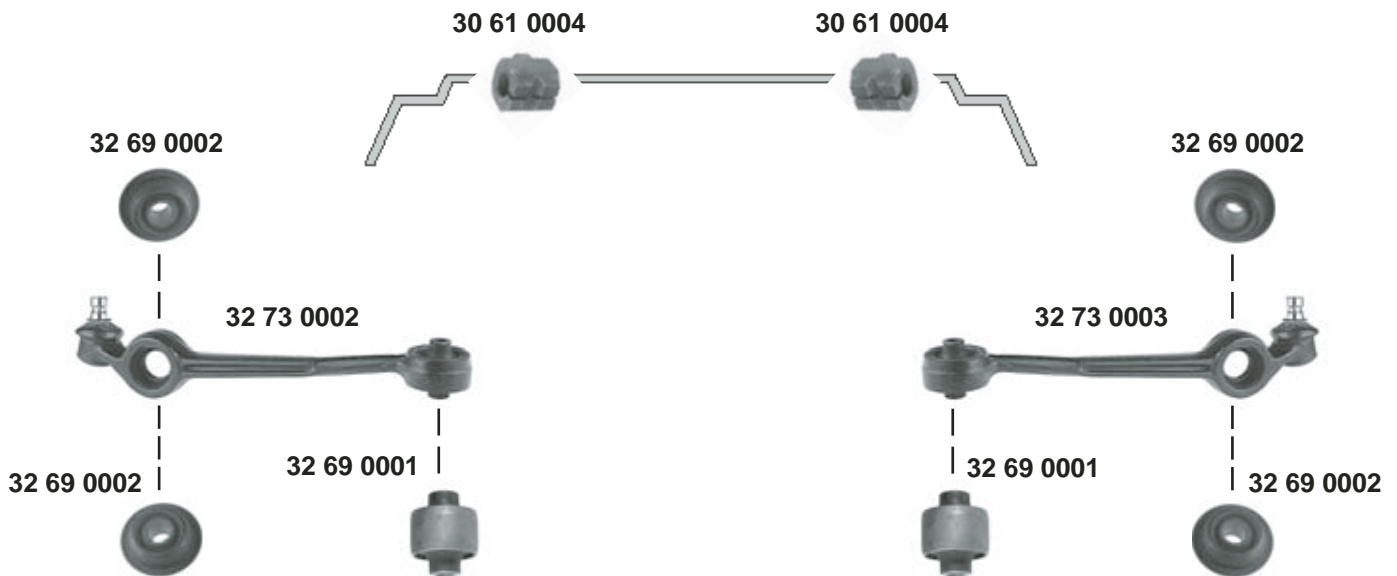
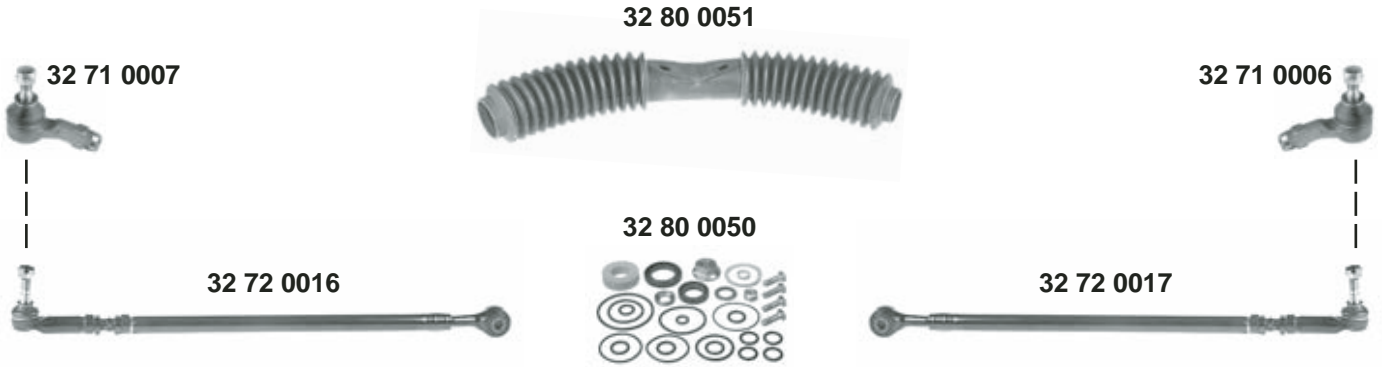
(ch.) 46-C-007001 →

12x46,5x58
16,3x58,5x24



100 / 200
(1983 → 1991)

(ex.) Quattro



Ref. - No.

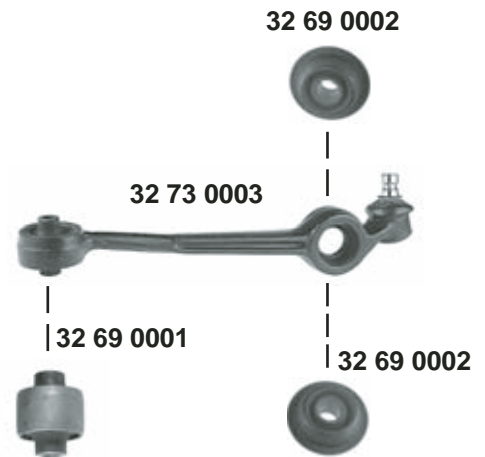
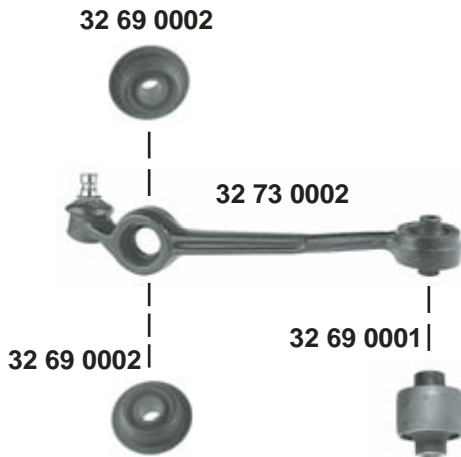
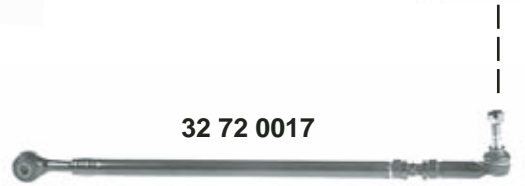
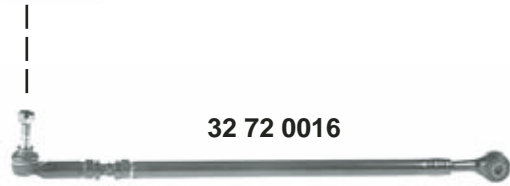


30 61 0004	443 411 327	Stabilisatorlager / stabilizer mount	(ch.) 44-H-180001 →	☒ I 21
32 69 0001	431 407 183 A	Querlenkerlager / control arm mount		12x46,5x58
32 69 0002	431 407 181 F	Stabilisatorlager / stabilizer mount		16,3x58,5x24
32 71 0006	443 419 812 D	Spurstangenendstück / tie rod end		M12x1,5
32 71 0007	443 419 811 D	Spurstangenendstück / tie rod end		M12x1,5
32 72 0016	443 419 801 E	Spurstange / tie rod		
32 72 0017	443 419 802 E	Spurstange / tie rod		
32 73 0002	437 407 151 A	Querlenker / control arm	(ch.) → 44-M-017 381	☒ A 18
32 73 0003	437 407 152 A	Querlenker / control arm	(ch.) → 44-M-017 381	☒ A 18
32 80 0050	443 498 020 A	Rep. Satz Servolenkung / rep. kit power steering		
32 80 0051	431 419 831	Lenkmanschette / steering boot		L 570



100 / 200
(1983 → 1991)

Quattro



Ref. - No.

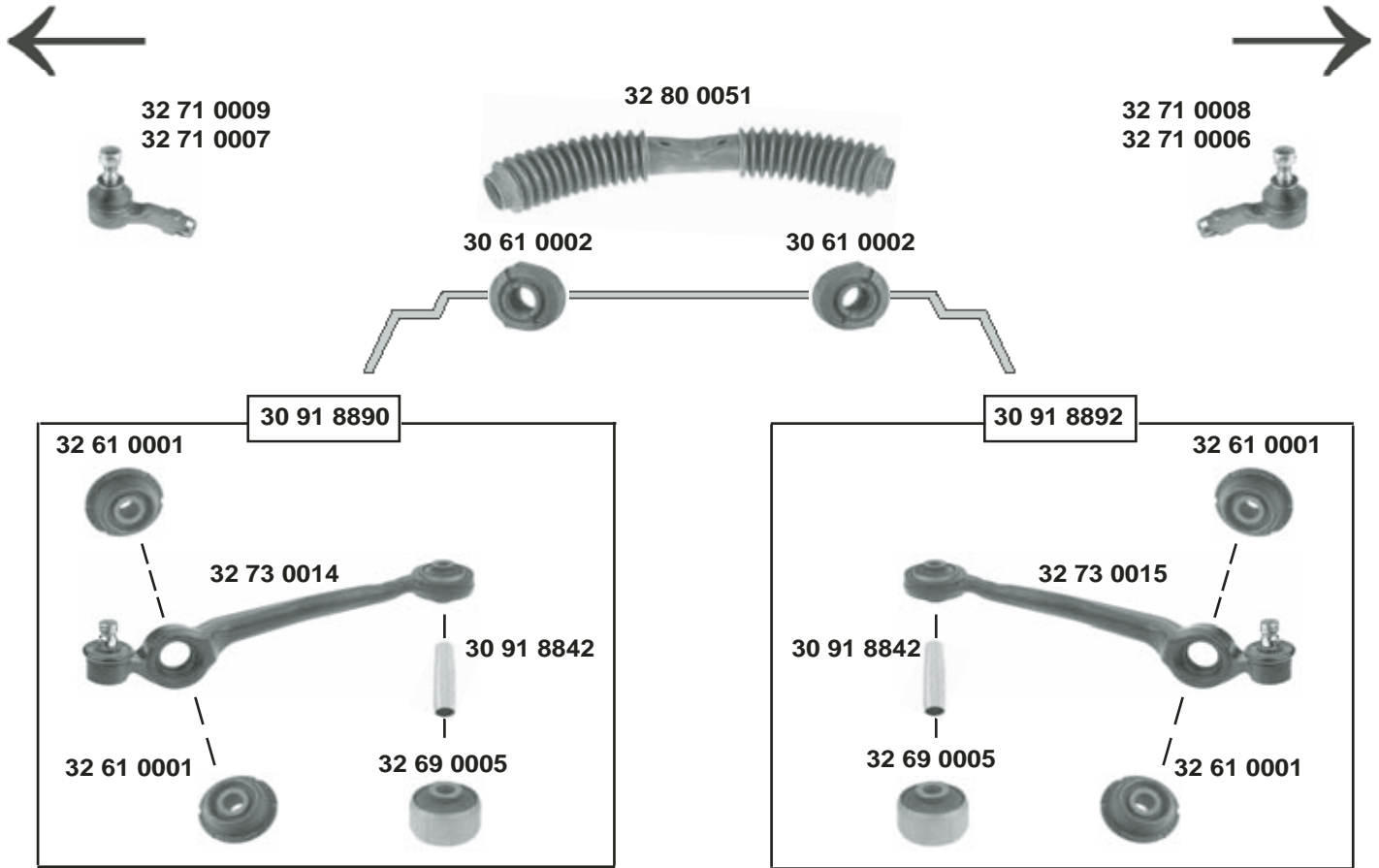


32 69 0001	431 407 183 A	Querlenkerlager / control arm mount		12x46,5x58
32 69 0002	431 407 181 F	Stabilisatorlager / stabilizer mount		16,3x58,5x24
32 71 0006	443 419 812 D	Spurstangenendstück / tie rod end		M12x1,5
32 71 0007	443 419 811 D	Spurstangenendstück / tie rod end		M12x1,5
32 72 0016	443 419 801 E	Spurstange / tie rod		
32 72 0017	443 419 802 E	Spurstange / tie rod		
32 73 0002	437 407 151 A	Querlenker / control arm	(ch.) → 44-L-111 380	☒ A 18
32 73 0003	437 407 152 A	Querlenker / control arm	(ch.) → 44-L-111 380	☒ A 18
32 80 0050	443 498 020 A	Rep. Satz Servolenkung / rep. kit power steering		
32 80 0051	431 419 831	Lenkmanschette / steering boot		L 570



100 / A6
(1991 → 1997)

(ex.) Quattro



Rep. Sätze / rep. kits

30 91 8842 32 69 0005



30 91 8844



(1) Limousine 2.0 16V / 2.3 / 2.6 / 2.8 (ex.) **Sport**
2.4D / 2.5TDi (ex.) **Sport**

Avant 1.6 / 2.0 **N**



Ref. - No.



30 61 0002	4A0 411 327 A	Stabilisatorlager / stabilizer mount	(1)	∅ I 25
30 91 8842	4A0 399 413 A	Hülse / sleeve		
30 91 8844	4A0 407 183 D S1	Rep. Satz Querlenkerlager / rep. kit control arm mounting		
30 91 8890	4A0 407 151 S	Rep. Satz Querlenker / rep. kit control arm		
30 91 8892	4A0 407 152 S	Rep. Satz Querlenker / rep. kit control arm		
32 61 0001	4A0 407 181 A	Stabilisatorlager / stabilizer mount		26,2x63x26
32 69 0005	4A0 407 183 D	Querlenkerlager / control arm mount		15x54,5x48
32 71 0006	443 419 812 D	Spurstangenendstück / tie rod end	(ch.) 4A-P-001984 →	M12x1,5
32 71 0007	443 419 811 D	Spurstangenendstück / tie rod end	(ch.) 4A-P-001984 →	M12x1,5
32 71 0008	4A0 419 812 A	Spurstangenendstück / tie rod end	(ch.) → 4A-P-001983	M14x1,5
32 71 0009	4A0 419 811 A	Spurstangenendstück / tie rod end	(ch.) → 4A-P-001983	M14x1,5
32 73 0014	4A0 407 151	Querlenker / control arm		∅ I 15 Ø A 19
32 73 0015	4A0 407 152	Querlenker / control arm		∅ I 15 Ø A 19
32 80 0051	431 419 831	Lenkmanschette / steering boot		L 570



100 / A6
(1991 → 1997)

Quattro



32 80 0051

32 72 0018

32 72 0019



30 91 8890

30 91 8892

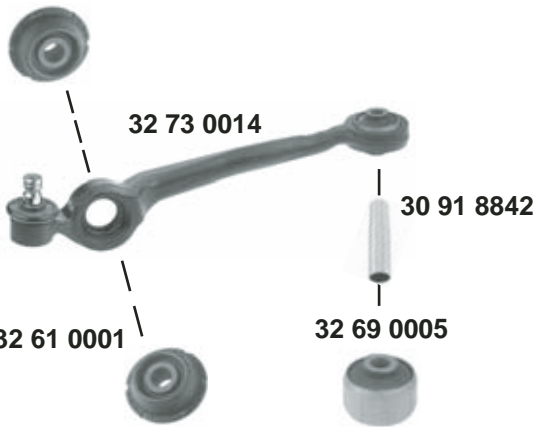
32 61 0001

32 73 0014

30 91 8842

32 61 0001

32 69 0005



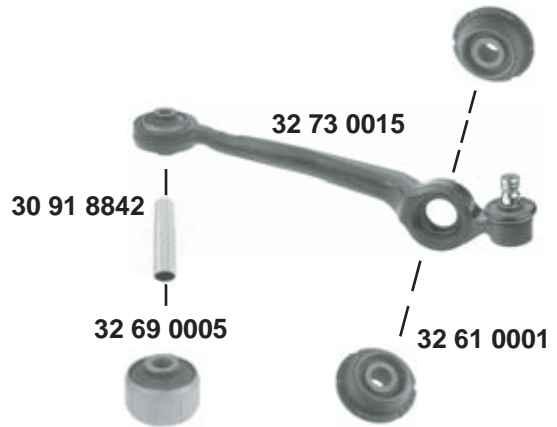
32 61 0001

32 73 0015

30 91 8842

32 69 0005

32 61 0001



Rep. Sätze / rep. kits

30 91 8842

32 69 0005

30 91 8844



607



Ref. - No.



30 91 8842	4A0 399 413 A	Hülse / sleeve	
30 91 8844	4A0 407 183 D S1	Rep. Satz Querlenkerlager / rep. kit control arm mounting	
30 91 8890	4A0 407 151 S	Rep. Satz Querlenker / rep. kit control arm	
30 91 8892	4A0 407 152 S	Rep. Satz Querlenker / rep. kit control arm	
32 61 0001	4A0 407 181 A	Stabilisatorlager / stabilizer mount	26,2x63x26
32 69 0005	4A0 407 183 D	Querlenkerlager / control arm mount	15x54,5x48
32 72 0018	4A0 419 801 A	Spurstange / tie rod	
32 72 0019	4A0 419 802 A	Spurstange / tie rod	
32 73 0014	4A0 407 151	Querlenker / control arm	∅ I 15 ∅ A 19
32 73 0015	4A0 407 152	Querlenker / control arm	∅ I 15 ∅ A 19
32 80 0051	431 419 831	Lenkmanschette / steering boot	L 570