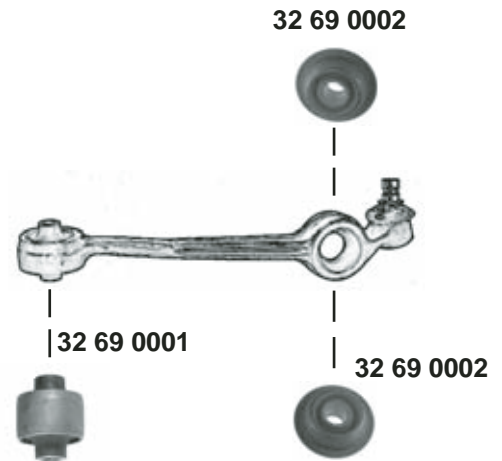
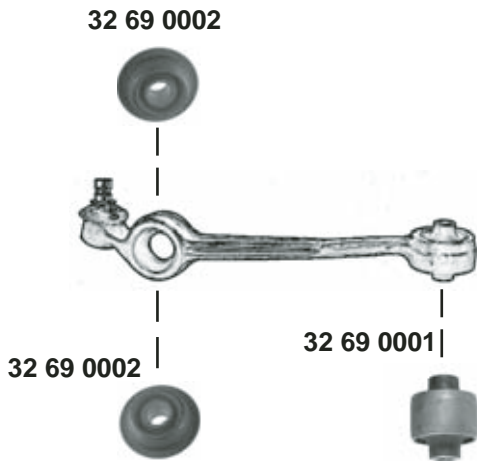




100 / 200
(1977 → 1982)



Ref. - No.



32 69 0001
32 69 0002

431 407 183 A
431 407 181 F

Querlenkerlager / control arm mount
Stabilisatorlager / stabilizer mount

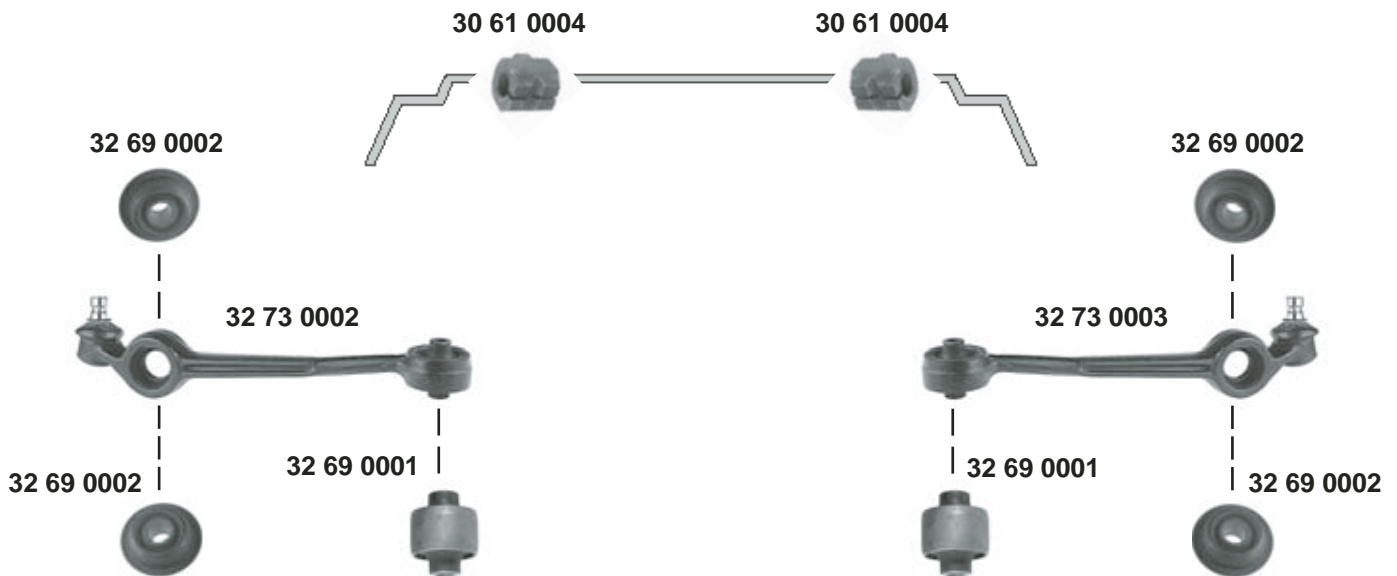
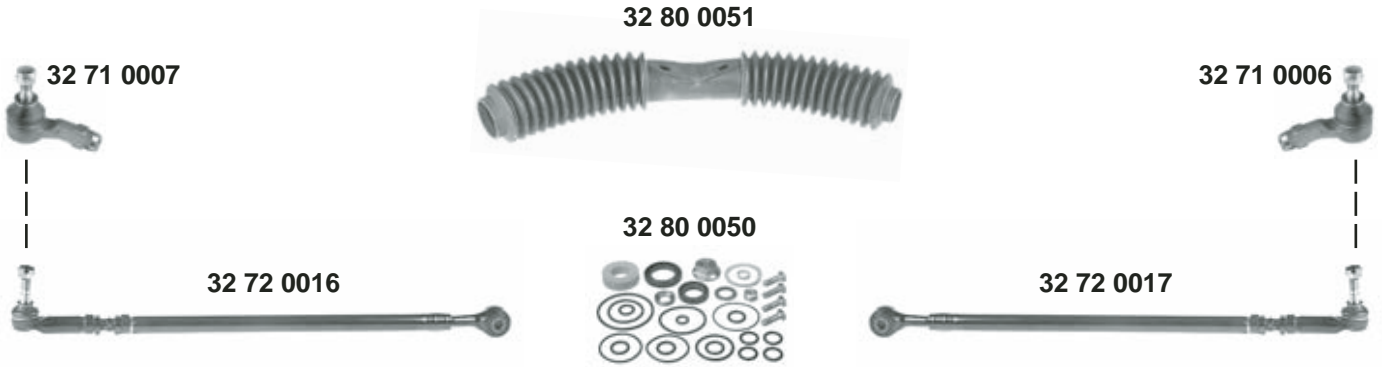
(ch.) 46-C-007001 →

12x46,5x58
16,3x58,5x24



100 / 200
(1983 → 1991)

(ex.) Quattro



Ref. - No.

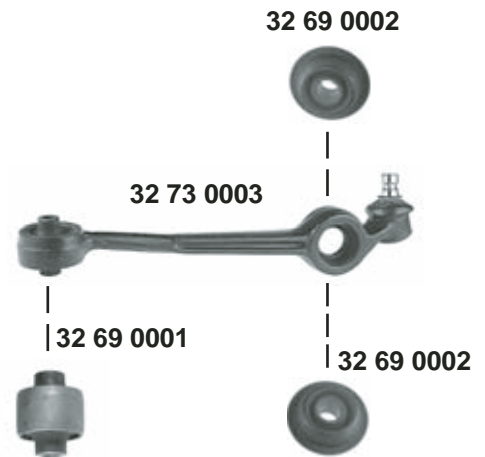
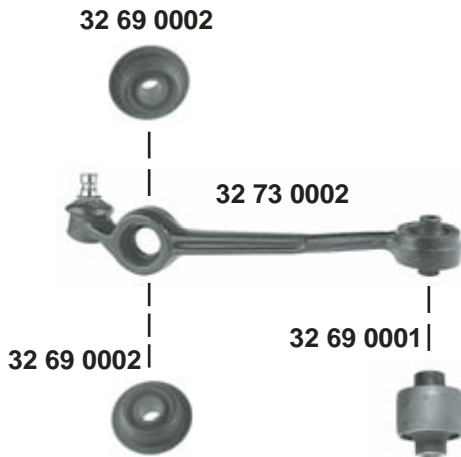
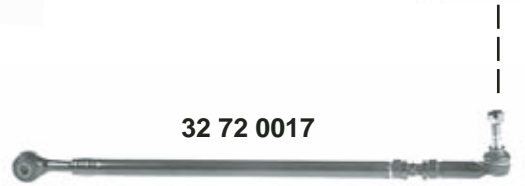
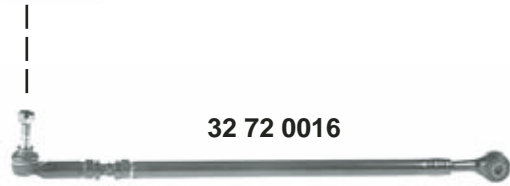


30 61 0004	443 411 327	Stabilisatorlager / stabilizer mount	(ch.) 44-H-180001 →	☒ I 21
32 69 0001	431 407 183 A	Querlenkerlager / control arm mount		12x46,5x58
32 69 0002	431 407 181 F	Stabilisatorlager / stabilizer mount		16,3x58,5x24
32 71 0006	443 419 812 D	Spurstangenendstück / tie rod end		M12x1,5
32 71 0007	443 419 811 D	Spurstangenendstück / tie rod end		M12x1,5
32 72 0016	443 419 801 E	Spurstange / tie rod		
32 72 0017	443 419 802 E	Spurstange / tie rod		
32 73 0002	437 407 151 A	Querlenker / control arm	(ch.) → 44-M-017 381	☒ A 18
32 73 0003	437 407 152 A	Querlenker / control arm	(ch.) → 44-M-017 381	☒ A 18
32 80 0050	443 498 020 A	Rep. Satz Servolenkung / rep. kit power steering		
32 80 0051	431 419 831	Lenkmanschette / steering boot		L 570



100 / 200
(1983 → 1991)

Quattro



SWAG	Ref. - No.			
32 69 0001	431 407 183 A	Querlenkerlager / control arm mount		12x46,5x58
32 69 0002	431 407 181 F	Stabilisatorlager / stabilizer mount		16,3x58,5x24
32 71 0006	443 419 812 D	Spurstangenendstück / tie rod end		M12x1,5
32 71 0007	443 419 811 D	Spurstangenendstück / tie rod end		M12x1,5
32 72 0016	443 419 801 E	Spurstange / tie rod		
32 72 0017	443 419 802 E	Spurstange / tie rod		
32 73 0002	437 407 151 A	Querlenker / control arm	(ch.) → 44-L-111 380	☒ A 18
32 73 0003	437 407 152 A	Querlenker / control arm	(ch.) → 44-L-111 380	☒ A 18
32 80 0050	443 498 020 A	Rep. Satz Servolenkung / rep. kit power steering		
32 80 0051	431 419 831	Lenkmanschette / steering boot		L 570