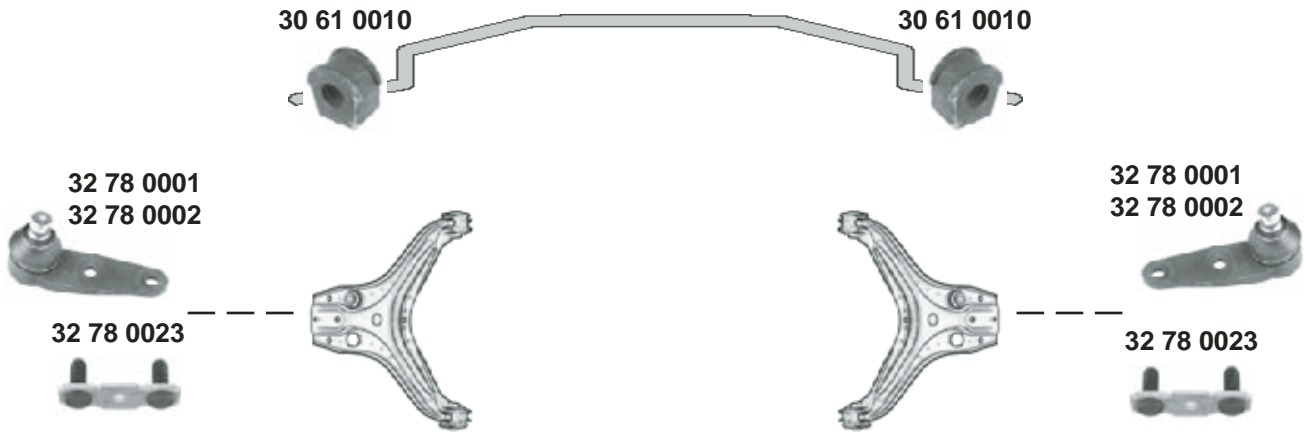




## 80

(1974 → 1978)



Ref. - No.



**30 61 0010**  
**32 78 0001**  
**32 78 0002**  
**32 78 0023**

823 411 313 A  
823 407 365 C  
823 407 365 E  
811 407 175 A

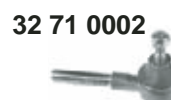
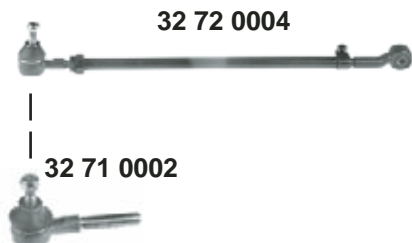
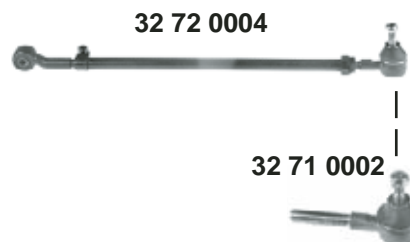
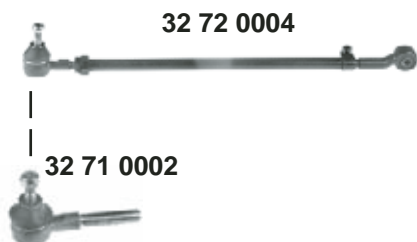
Stabilisatorlager / stabilizer mount  
Traggelenk / ball joint  
Traggelenk / ball joint  
Sicherungsblech / lock washer

**73 → 78**  
**78 →**

⊠ I 12,5  
⊠ A 15  
⊠ A 17



## 80 (1974 → 1978)



Ref. - No.



**32 71 0002**  
**32 72 0004**

811 419 812  
321 419 801 E

Spurstangenendstück / tie rod end  
Spurstange / tie rod

M10x1



**80 / 90**  
(1979 → 1987)

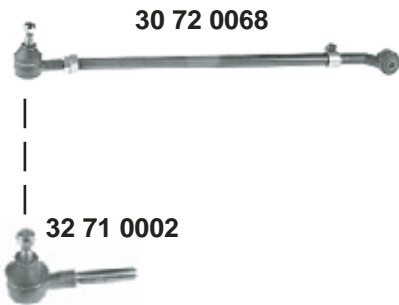
(ex.) Quattro



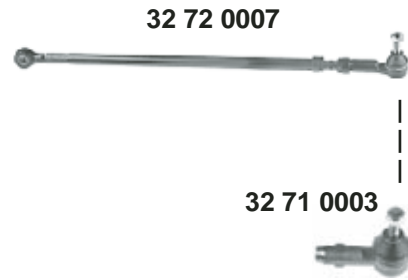
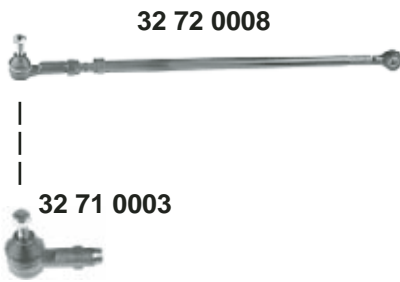
man.



(ch.) → 81-A-073 588



(ch.) → 81-A-073 588



(1) (ch.) → 81/85-G-160 000



Ref. - No.



<b>30 72 0068</b>	811 419 801 B	Spurstange / tie rod	LHD	
<b>30 80 0060</b>	811 419 831 B	Lenkmanschette / steering boot		L 150
<b>32 71 0002</b>	811 419 812	Spurstangenendstück / tie rod end		M10x1
<b>32 71 0003</b>	811 419 812 A	Spurstangenendstück / tie rod end		M10x1
<b>32 72 0008</b>	811 419 801 E	Spurstange / tie rod	LHD	
<b>32 72 0007</b>	811 419 802 J	Spurstange / tie rod	LHD / (1)	



**80 / 90**  
(1979 → 1987)

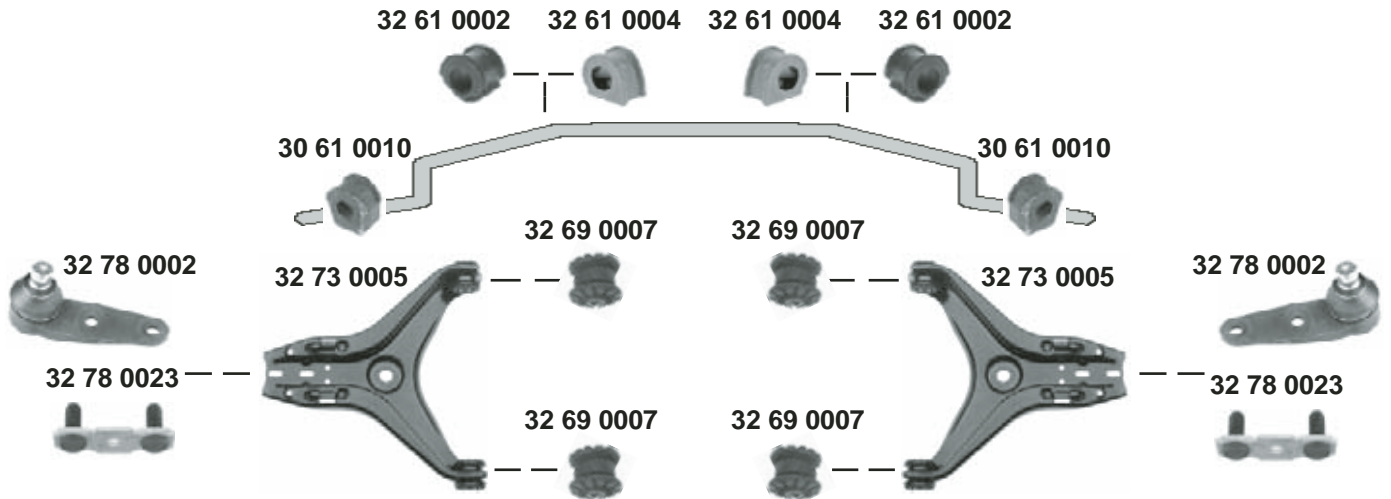
(ex.) Quattro



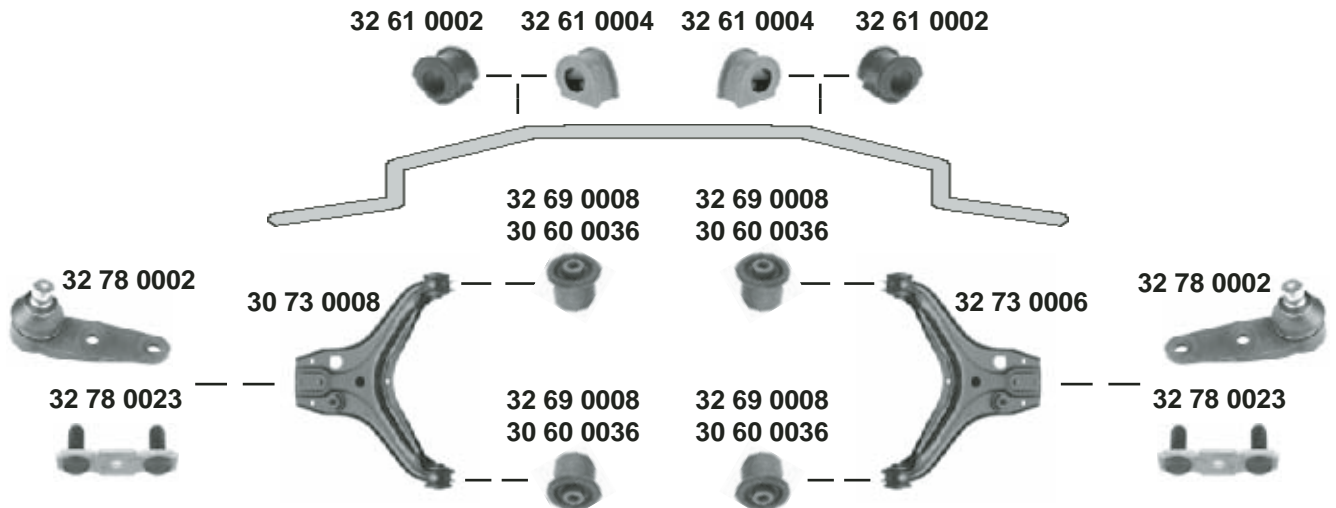
man.



**4 cyl. alle / all**  
**5 cyl. (ch.) → 81-D-077 973**



**5 cyl. (ch.) 81-D-077 974 →**



Ref. - No.



<b>30 60 0036</b>	8A0 407 181	Querlenkerlager / control arm mount	<b>NEW</b>	10x37x44
<b>30 61 0010</b>	823 411 313 A	Stabilisatorlager / stabilizer mount		☒ A 12,5
<b>30 73 0008</b>	893 407 147 C	Querlenker / control arm		
<b>32 61 0002</b>	811 411 327 A	Stabilisatorlager / stabilizer mount	(ch.) 81-F-150000 →	☒ I 20
<b>32 61 0004</b>	823 411 327 B	Stabilisatorlager / stabilizer mount	(ch.) → 81-D-077973	☒ I 19
<b>32 69 0007</b>	811 407 181 A	Querlenkerlager / control arm mount		10x38x44
<b>32 69 0008</b>	857 407 181	Querlenkerlager / control arm mount	<b>OLD</b>	10x37,5x44
<b>32 73 0005</b>	893 407 147 G	Querlenker / control arm		
<b>32 73 0006</b>	893 407 148 C	Querlenker / control arm		
<b>32 78 0002</b>	823 407 365 E	Traggelenk / ball joint	(ex.) Quattro	☒ A 17
<b>32 78 0023</b>	811 407 175 A	Sicherungsblech / lock washer		



**80 / 90**  
(1979 → 1987)

(ex.) Quattro



servo



(ch.) → 81-A-073 588



(ch.) 81-A-073 589 →



(1) (ch.) → 81/85-G-160 000



Ref. - No.



<b>30 72 0068</b>	811 419 801 B	Spurstange / tie rod	LHD	
<b>30 80 0060</b>	811 419 831 B	Lenkmanschette / steering boot		L 150
<b>30 80 0061</b>	811 498 020 B	Rep. Satz Servolenkung / rep. kit power steering		
<b>32 71 0002</b>	811 419 812	Spurstangenendstück / tie rod end		M10x1
<b>32 71 0003</b>	811 419 812 A	Spurstangenendstück / tie rod end		M10x1
<b>32 72 0007</b>	811 419 802 J	Spurstange / tie rod	LHD / (1)	
<b>32 72 0008</b>	811 419 801 E	Spurstange / tie rod	LHD	

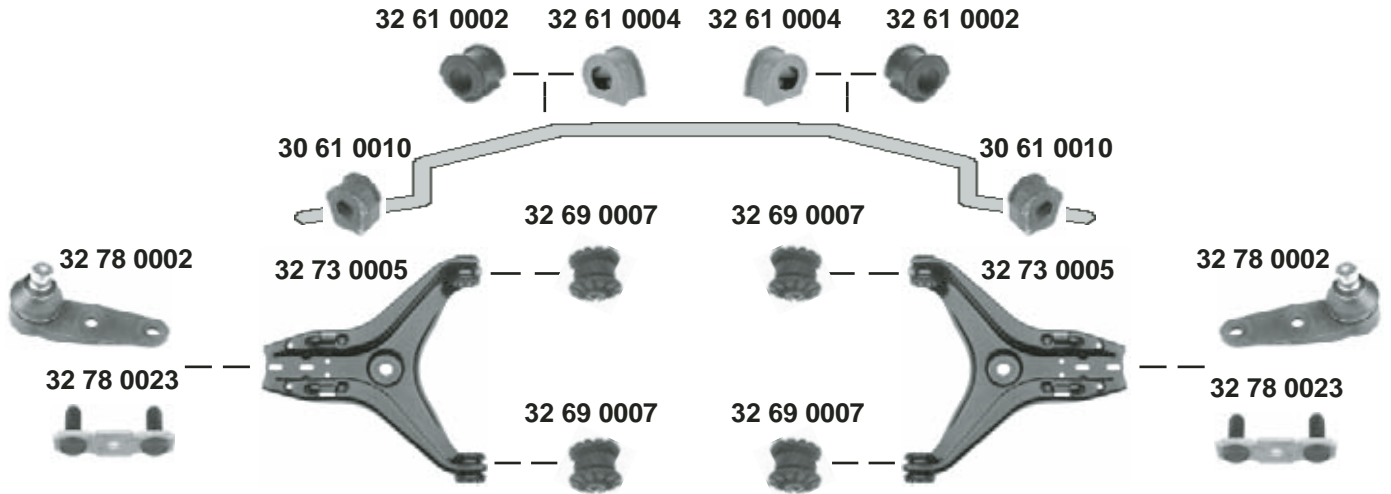


**80 / 90**  
(1979 → 1987)

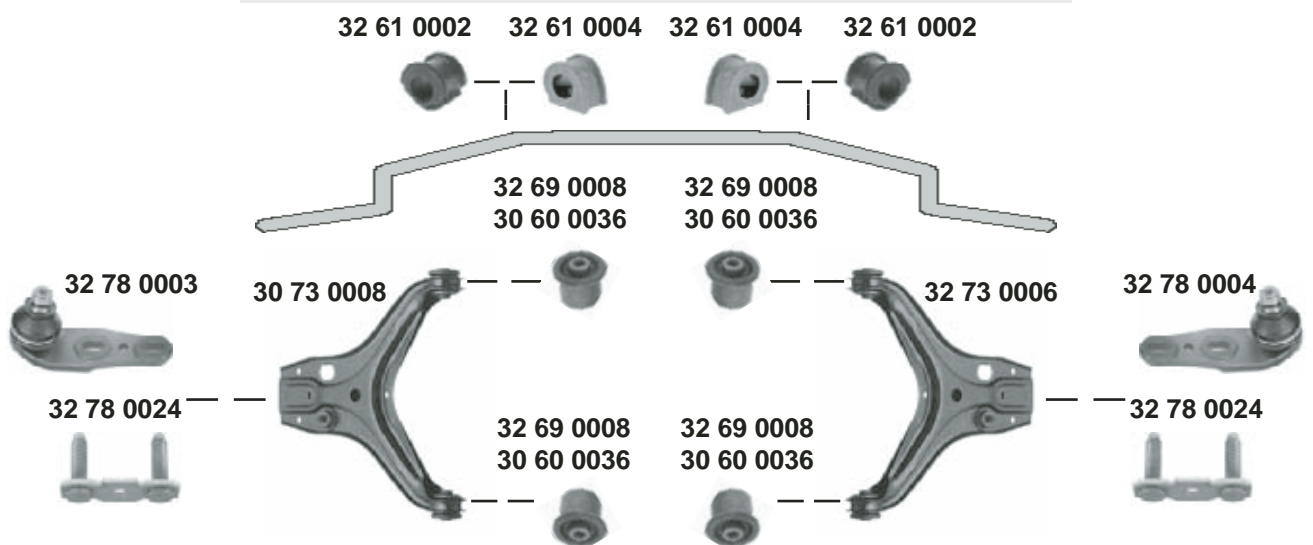
(ex.) Quattro



(ch.) → 81-D-077 973



(ch.) 81-D-077 974 →



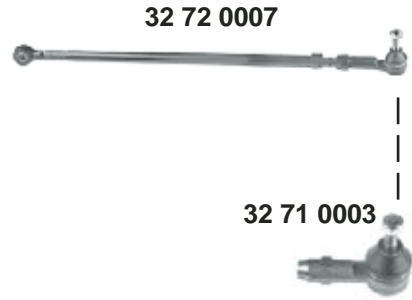
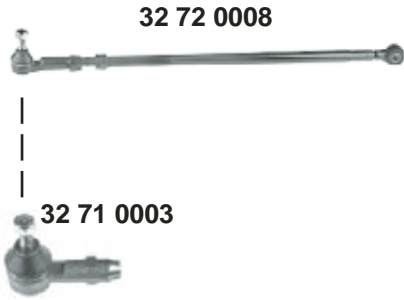
	Ref. - No.			
<b>30 60 0036</b>	8A0 407 181	Querlenkerlager / control arm mount	<b>NEW</b>	10x37x44
<b>30 61 0010</b>	823 411 313 A	Stabilisatorlager / stabilizer mount		∅ I 12,5
<b>30 73 0008</b>	893 407 147 C	Querlenker / control arm		
<b>32 61 0002</b>	811 411 327 A	Stabilisatorlager / stabilizer mount	(ch.) 81-F-150000 →	∅ I 20
<b>32 61 0004</b>	823 411 327 B	Stabilisatorlager / stabilizer mount	(ch.) → 81-D-077973	∅ I 19
<b>32 69 0007</b>	811 407 181 A	Querlenkerlager / control arm mount		10x38x44
<b>32 69 0008</b>	857 407 181	Querlenkerlager / control arm mount	<b>OLD</b>	10x37,5x44
<b>32 73 0005</b>	893 407 147 G	Querlenker / control arm		
<b>32 73 0006</b>	893 407 148 C	Querlenker / control arm		
<b>32 78 0002</b>	823 407 365 E	Traggelenk / ball joint		∅ A 17
<b>32 78 0003</b>	855 407 365 A	Traggelenk / ball joint		∅ A 17
<b>32 78 0004</b>	855 407 366 A	Traggelenk / ball joint		∅ A 17
<b>32 78 0023</b>	811 407 175 A	Sicherungsblech / lock washer		
<b>32 78 0024</b>	857 407 175	Sicherungsblech / lock washer		



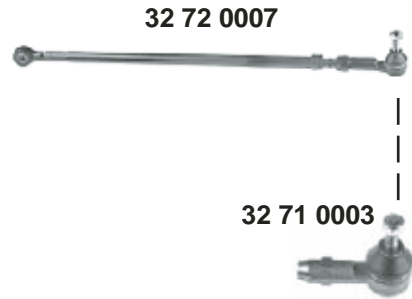
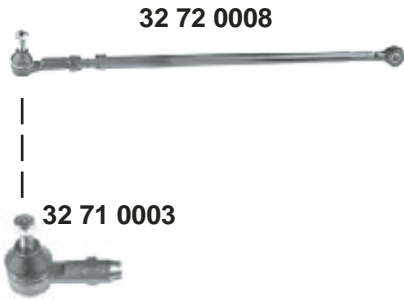
**80 / 90**  
(1983 → 1987)



man.



servo



(1) (ch.) → 81/85-G-160 000



Ref. - No.



<b>30 80 0060</b>	811 419 831 B	Lenkmanschette / steering boot		
<b>30 80 0061</b>	811 498 020 B	Rep. Satz Servolenkung / rep. kit power steering		
<b>32 71 0002</b>	811 419 812	Spurstangenendstück / tie rod end		M10x1
<b>32 71 0003</b>	811 419 812 A	Spurstangenendstück / tie rod end		M10x1
<b>32 72 0007</b>	811 419 802 J	Spurstange / tie rod	LHD / (1) LHD	
<b>32 72 0008</b>	811 419 801 E	Spurstange / tie rod		

L 150

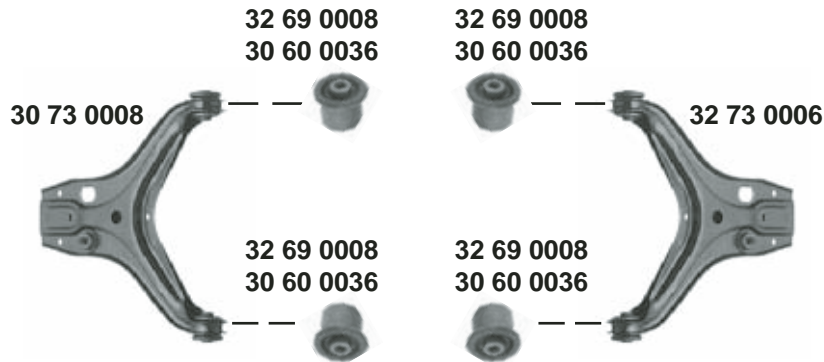



**80 / 90**  
(1983 → 1987)

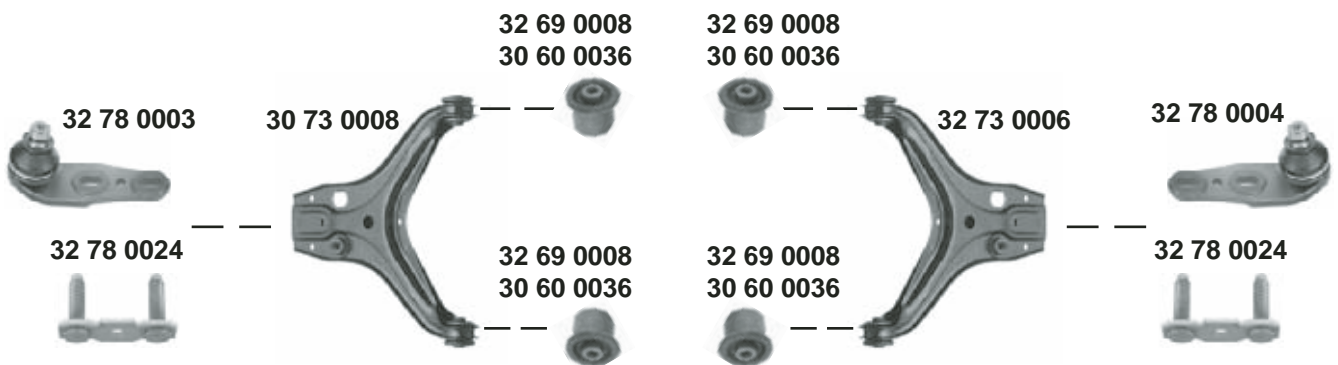
(ex.) Quattro



4 cyl. man. 



4 cyl. servo   
5 cyl. alle / all



Ref. - No.



<b>30 60 0036</b>	8A0 407 181	Querlenkerlager / control arm mount	<b>NEW</b>	10x37x44
<b>30 73 0008</b>	893 407 147 C	Querlenker / control arm		
<b>32 69 0008</b>	857 407 181	Querlenkerlager / control arm mount	<b>OLD</b>	10x37,5x44
<b>32 73 0006</b>	893 407 148 C	Querlenker / control arm		
<b>32 78 0003</b>	855 407 365 A	Traggelenk / ball joint		☒ A 17
<b>32 78 0004</b>	855 407 366 A	Traggelenk / ball joint		☒ A 17
<b>32 78 0024</b>	857 407 175	Sicherungsblech / lock washer		

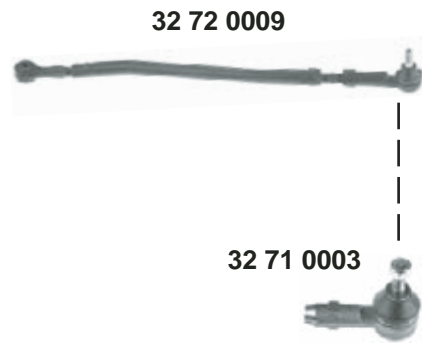
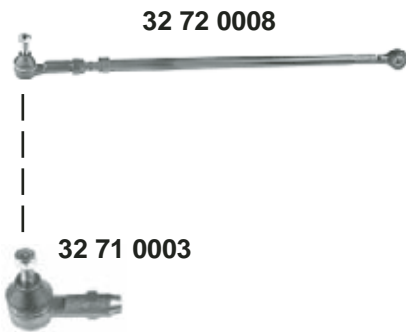





**80 / 90**  
(1987 → 1992)

(ex.) Quattro



man. 



	Ref. - No.			
<b>30 80 0060</b>	811 419 831 B	Lenkmanschette / steering boot		L 150
<b>32 71 0003</b>	811 419 812 A	Spurstangenendstück / tie rod end		M10x1
<b>32 72 0008</b>	811 419 801 E	Spurstange / tie rod	LHD	
<b>32 72 0009</b>	893 419 802	Spurstange / tie rod	LHD	



**80 / 90**  
(1987 → 1992)

(ex.) Quattro

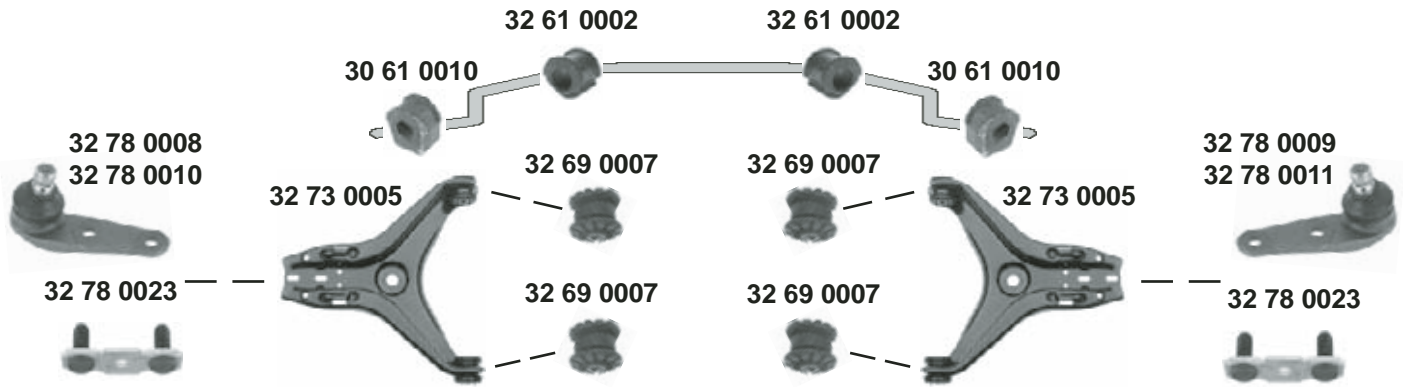
Quality Made For The World



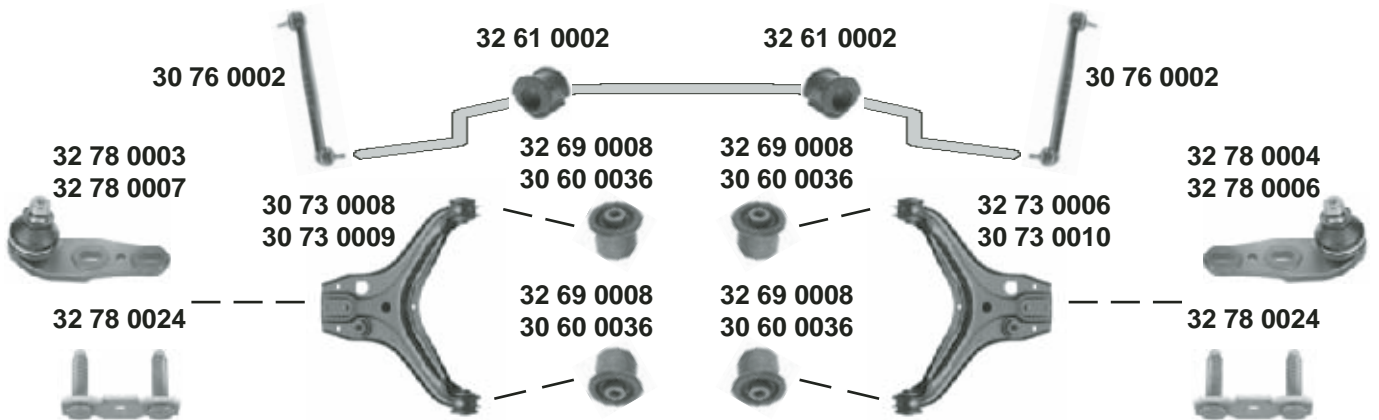
man.



**4 cyl.**



**5 cyl.**



Ref. - No.



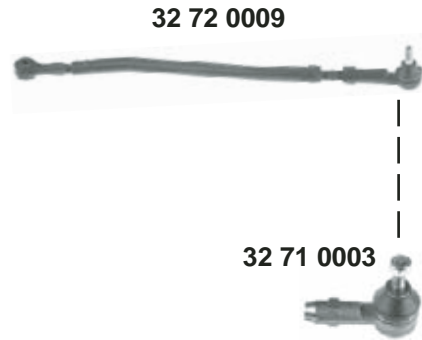
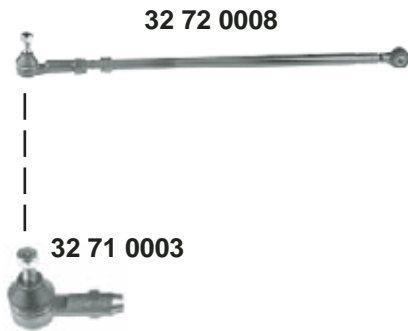
<b>30 60 0036</b>	8A0 407 181	Querlenkerlager / control arm mount	<b>NEW</b>	10x37x44
<b>30 61 0010</b>	823 411 313 A	Stabilisatorlager / stabilizer mount		∩ I 12,5
<b>30 73 0008</b>	893 407 147 C	Querlenker / control arm	(ch.) → <b>8A-L-038 656</b>	
<b>30 73 0009</b>	893 407 147 E	Querlenker / control arm	(ch.) <b>8A-L-038 657</b> →	
<b>30 73 0010</b>	893 407 148 E	Querlenker / control arm	(ch.) <b>8A-L-038 657</b> →	
<b>30 76 0002</b>	8A0 407 465	Verbindungsstange / connecting rod	(ch.) <b>8A-L-038 758</b> →	L 269,5
<b>32 61 0002</b>	811 411 327 A	Stabilisatorlager / stabilizer mount	(ch.) → <b>8A-L-038 757</b>	∩ I 20
<b>32 69 0007</b>	811 407 181 A	Querlenkerlager / control arm mount	<b>OLD</b>	10x38x44
<b>32 69 0008</b>	857 407 181	Querlenkerlager / control arm mount		10x37,5x44
<b>32 73 0005</b>	893 407 147 G	Querlenker / control arm	(ch.) → <b>8A-L-038 656</b>	
<b>32 73 0006</b>	893 407 148 C	Querlenker / control arm	(ch.) → <b>89-J-373 598</b>	∩ A 17
<b>32 78 0003</b>	855 407 365 A	Traggelenk / ball joint	(ch.) → <b>89-J-373 598</b>	∩ A 17
<b>32 78 0004</b>	855 407 366 A	Traggelenk / ball joint	(ch.) <b>89-J-373 599</b> →	∩ A 19
<b>32 78 0006</b>	893 407 366 F	Traggelenk / ball joint	(ch.) <b>89-J-373 599</b> →	∩ A 19
<b>32 78 0007</b>	893 407 365 F	Traggelenk / ball joint	(ch.) <b>89-J-373 599</b> →	∩ A 19
<b>32 78 0008</b>	855 407 365	Traggelenk / ball joint	(ch.) → <b>89-J-373 598</b>	∩ A 17
<b>32 78 0009</b>	855 407 366	Traggelenk / ball joint	(ch.) → <b>89-J-373 598</b>	∩ A 17
<b>32 78 0010</b>	893 407 365 A	Traggelenk / ball joint	(ch.) <b>89-J-373 599</b> →	∩ A 19
<b>32 78 0011</b>	893 407 366 A	Traggelenk / ball joint	(ch.) <b>89-J-373 599</b> →	∩ A 19
<b>32 78 0023</b>	811 407 175 A	Sicherungsblech / lock washer		
<b>32 78 0024</b>	857 407 175	Sicherungsblech / lock washer		



**80 / 90**  
(1987 → 1992)



servo 



Ref. - No.



<b>30 80 0060</b>	811 419 831 B	Lenkmanschette / steering boot		
<b>30 80 0061</b>	811 498 020 B	Rep. Satz Servolenkung / rep. kit power steering		
<b>32 71 0003</b>	811 419 812 A	Spurstangenendstück / tie rod end		
<b>32 72 0008</b>	811 419 801 E	Spurstange / tie Rod	<b>LHD</b>	
<b>32 72 0009</b>	893 419 802	Spurstange / tie rod	<b>LHD</b>	

L 150

M10x1



**80 / 90**  
(1987 → 1992)

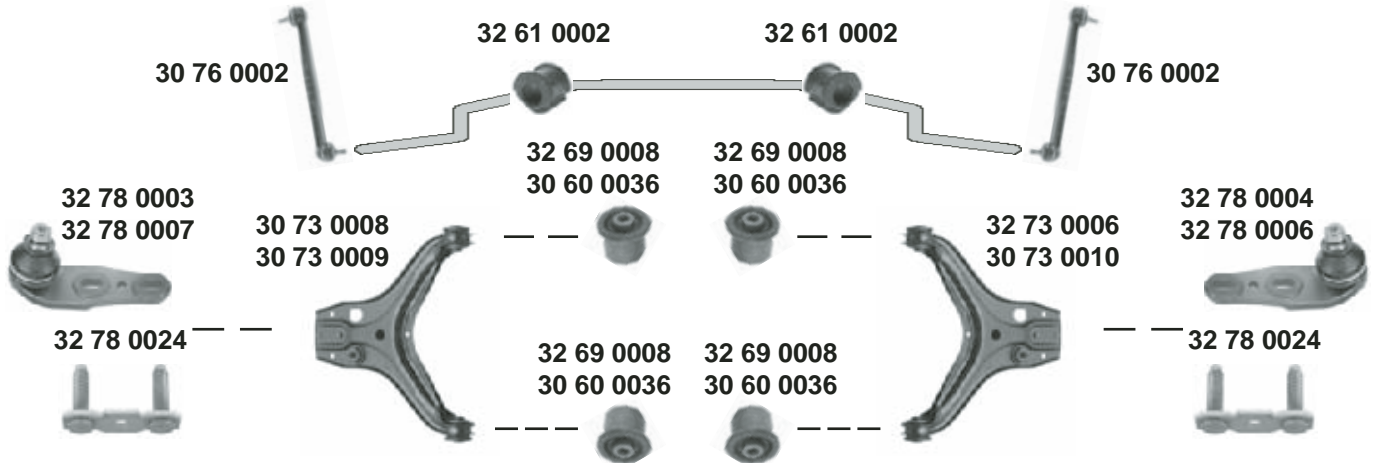
(ex.) Quattro



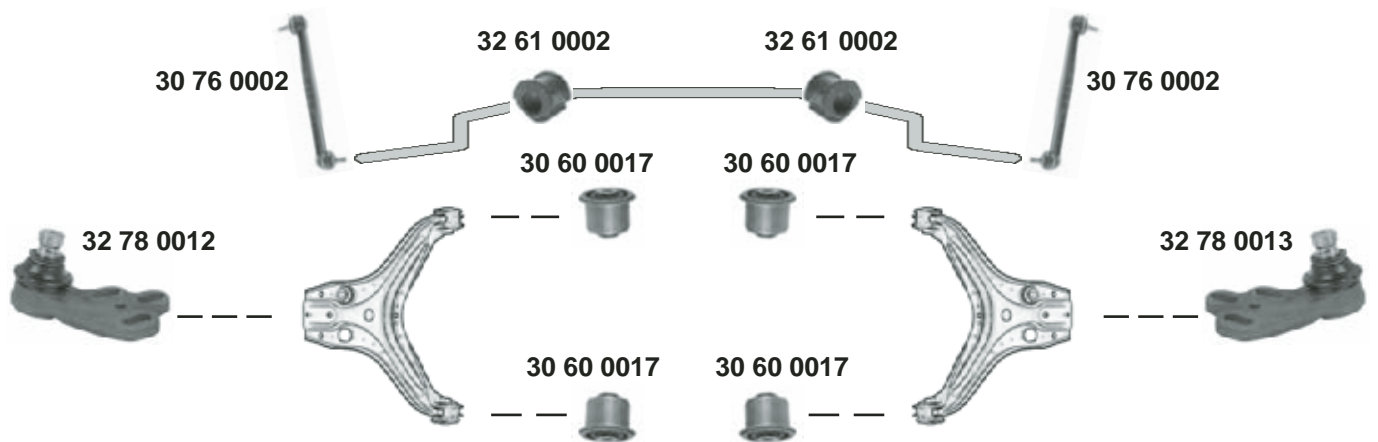
servo



(ex.) 2.3 20V (7A)



2.3 20V (7A)



	Ref. - No.			
<b>30 60 0017</b>	893 407 181	Querlenkerlager / control arm mount		10x44x44
<b>30 60 0036</b>	8A0 407 181	Querlenkerlager / control arm mount	<b>NEW</b>	10x37x44
<b>30 73 0008</b>	893 407 147 C	Querlenker / control arm	(ch.) → <b>8A-L-038656</b>	
<b>30 73 0009</b>	893 407 147 E	Querlenker / control arm	(ch.) <b>8A-L-038657</b> →	
<b>30 73 0010</b>	893 407 148 E	Querlenker / control arm	(ch.) <b>8A-L-038657</b> →	
<b>30 76 0002</b>	8A0 407 465	Verbindungsstange / connecting rod	(ch.) <b>8A-L-038 758</b> →	L 269,5
<b>32 61 0002</b>	811 411 327 A	Stabilisatorlager / stabilizer mount	(ch.) → <b>8A-L-038757</b>	∅ I 20
<b>32 69 0008</b>	857 407 181	Querlenkerlager / control arm mount	<b>OLD</b>	10x37,5x44
<b>32 73 0006</b>	893 407 148 C	Querlenker / control arm	(ch.) → <b>8A-L-038656</b>	
<b>32 78 0003</b>	855 407 365 A	Traggelenk / ball joint	(ch.) → <b>89-J-373598</b>	∅ A 17
<b>32 78 0004</b>	855 407 366 A	Traggelenk / ball joint	(ch.) → <b>89-J-373598</b>	∅ A 17
<b>32 78 0006</b>	893 407 366 F	Traggelenk / ball joint	(ch.) <b>89-J-373599</b> →	∅ A 19
<b>32 78 0007</b>	893 407 365 F	Traggelenk / ball joint	(ch.) <b>89-J-373599</b> →	∅ A 19
<b>32 78 0012</b>	893 407 365 E	Traggelenk / ball joint		∅ A 19
<b>32 78 0013</b>	893 407 366 E	Traggelenk / ball joint		∅ A 19
<b>32 78 0024</b>	857 407 175	Sicherungsblech / lock washer		



**80 / 90**  
(1987 → 1992)



man.



**32 72 0008**

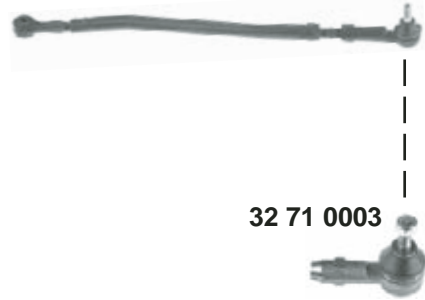


**32 71 0003**

**30 80 0060**



**32 72 0009**



**32 71 0003**

servo

**32 72 0008**



**32 71 0003**

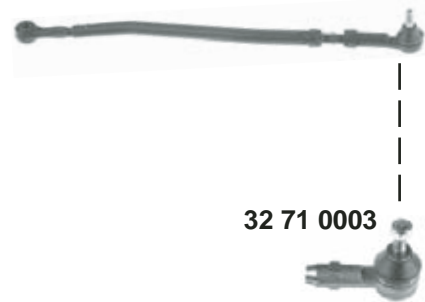
**30 80 0061**



**30 80 0060**



**32 72 0009**



**32 71 0003**



603



Ref. - No.



<b>30 80 0060</b>	811 419 831 B	Lenkmanschette / steering boot	
<b>30 80 0061</b>	811 498 020 B	Rep. Satz Servolenkung / rep. kit power steering	
<b>32 71 0003</b>	811 419 812 A	Spurstangenendstück / tie rod end	
<b>32 72 0008</b>	811 419 801 E	Spurstange / tie Rod	LHD
<b>32 72 0009</b>	893 419 802	Spurstange / tie rod	LHD

L 150

M10x1

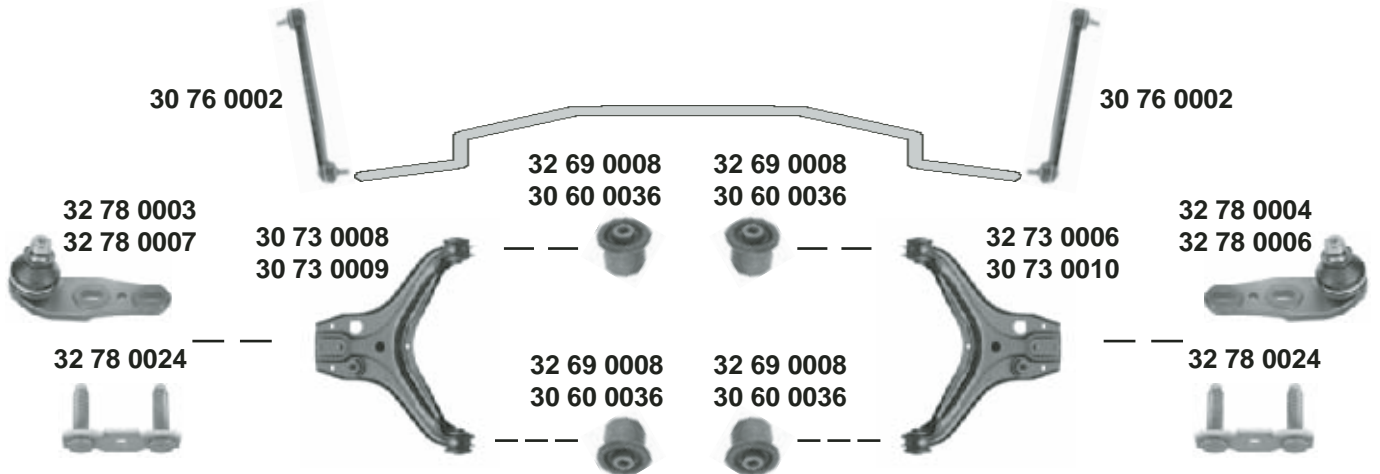


**80 / 90**  
(1987 → 1992)

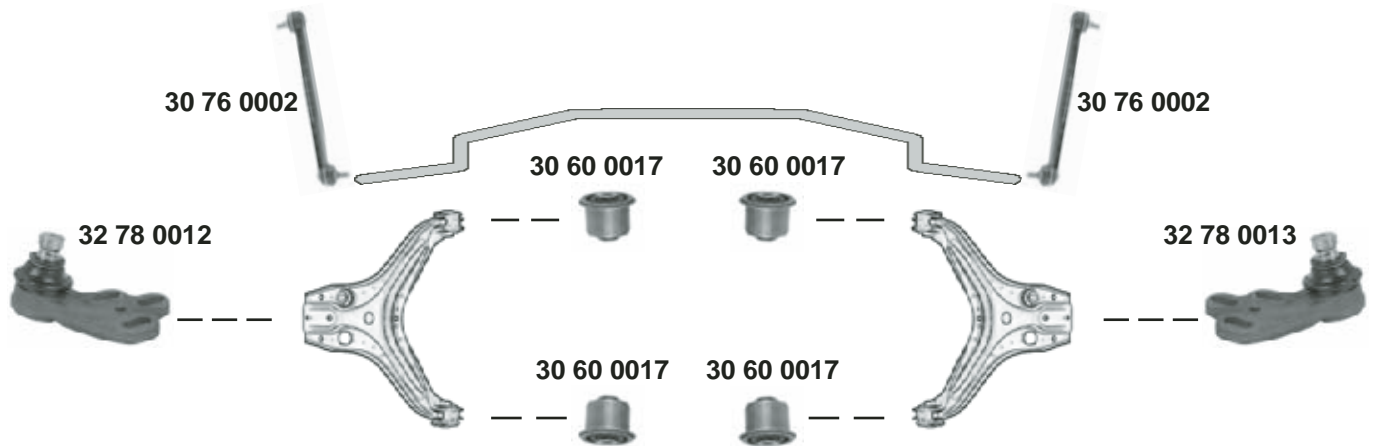
**Quattro**



(ex.) 2.3 20V (7A)



**2.3 20V (7A)**



Ref. - No.



<b>30 60 0017</b>	893 407 181	Querlenkerlager / control arm mount		10x44x44
<b>30 60 0036</b>	8A0 407 181	Querlenkerlager / control arm mount		10x37x44
<b>30 73 0008</b>	893 407 147 C	Querlenker / control arm		
<b>30 73 0009</b>	893 407 147 E	Querlenker / control arm		
<b>30 73 0010</b>	893 407 148 E	Querlenker / control arm		
<b>30 76 0002</b>	8A0 407 465	Verbindungsstange / connecting rod		L 269,5
<b>32 69 0008</b>	857 407 181	Querlenkerlager / control arm mount		10x37,5x44
<b>32 73 0006</b>	893 407 148 C	Querlenker / control arm		
<b>32 78 0003</b>	855 407 365 A	Traggelenk / ball joint		☒ A 17
<b>32 78 0004</b>	855 407 366 A	Traggelenk / ball joint		☒ A 17
<b>32 78 0006</b>	893 407 366 F	Traggelenk / ball joint		☒ A 19
<b>32 78 0007</b>	893 407 365 F	Traggelenk / ball joint		☒ A 19
<b>32 78 0012</b>	893 407 365 E	Traggelenk / ball joint		☒ A 19
<b>32 78 0013</b>	893 407 366 E	Traggelenk / ball joint		☒ A 19
<b>32 78 0024</b>	857 407 175	Sicherungsblech / lock washer		

**NEW**

(ch.) → 8A-L-045000

(ch.) 8A-L-045001 →

(ch.) 8A-L-045001 →

(ch.) 8A-L-038 758 →

**OLD**

(ch.) → 8A-L-045000

(ch.) → 89-J-351000

(ch.) → 89-J-351000

(ch.) 89-J-351001 →

(ch.) 89-J-351001 →

(ch.) 8A-L-045001 →

(ch.) 8A-L-045001 →



**80**

(1992 → 1996)



**32 72 0008**



**32 72 0009**



**30 80 0060**



**32 71 0003**



**32 71 0003**



Ref. - No.



**30 80 0060**  
**32 71 0003**  
**32 72 0008**  
**32 72 0009**

811 419 831 B  
811 419 812 A  
811 419 801 E  
893 419 802

Lenkmanschette / steering boot  
Spurstangenendstück / tie rod end  
Spurstange / tie rod  
Spurstange / tie rod

**LHD**  
**LHD**

L 150  
M10x1



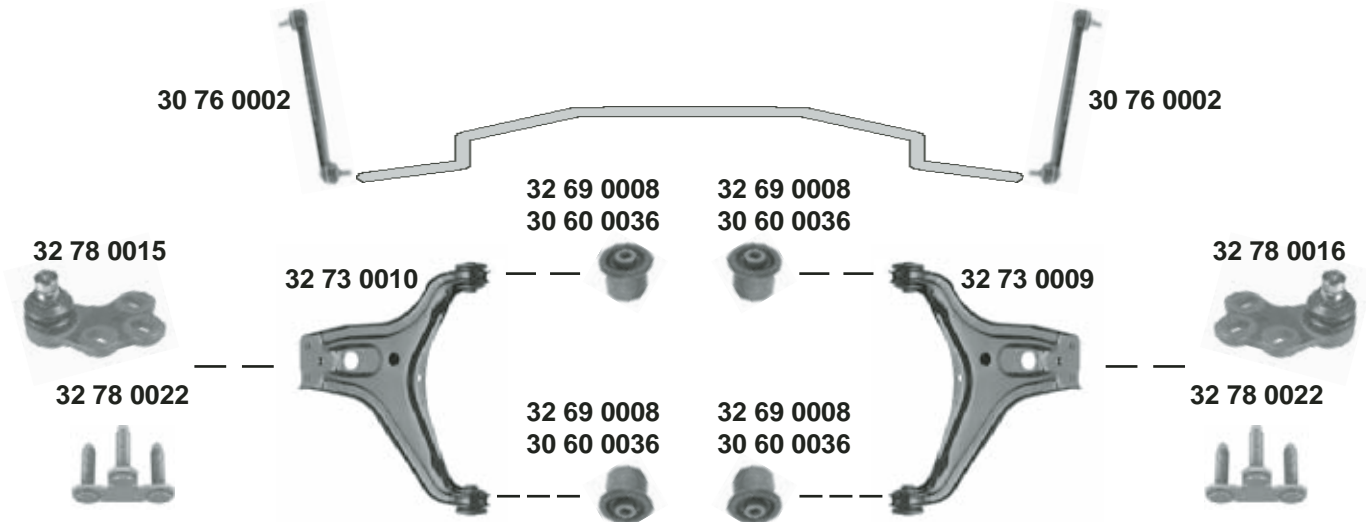
## 80

(1992 → 1996)

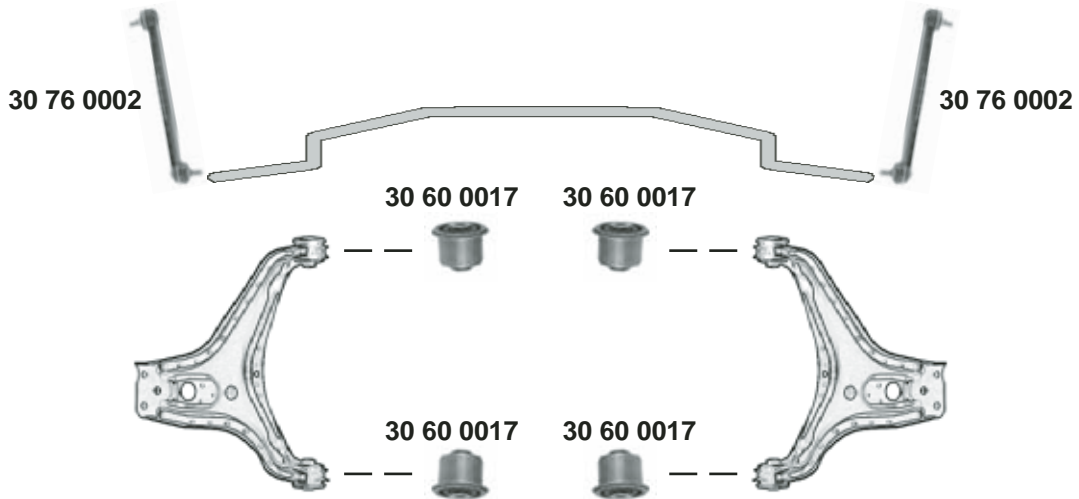
(ex.) Quattro



(ex.) 2.8 V6 (AAH) (ch.) 8C-N-000 352 → 8C-N-175 591



2.8 V6 (AAH) (ch.) 8C-N-000 352 → 8C-N-175 591

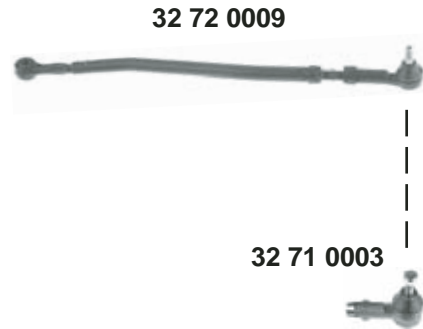
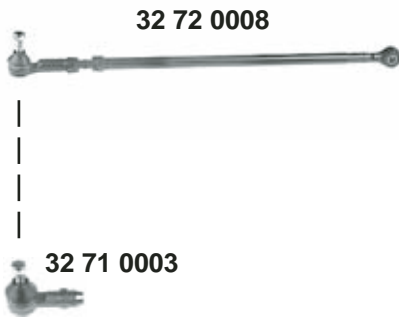


	Ref. - No.			
<b>30 60 0017</b>	893 407 181	Querlenkerlager / control arm mount		10x44x44
<b>30 60 0036</b>	8A0 407 181	Querlenkerlager / control arm mount	<b>NEW</b>	10x37x44
<b>30 76 0002</b>	8A0 407 465	Verbindungsstange / connecting rod		L 269,5
<b>32 69 0008</b>	857 407 181	Querlenkerlager / control arm mount	<b>OLD</b>	10x37,5x44
<b>32 73 0009</b>	895 407 148 A	Querlenker / control arm		
<b>32 73 0010</b>	895 407 147 A	Querlenker / control arm		
<b>32 78 0015</b>	8A0 407 365	Traggelenk / ball joint		☒ A 19
<b>32 78 0016</b>	8A0 407 366	Traggelenk / ball joint		☒ A 19
<b>32 78 0022</b>	8A0 407 175	Sicherungsblech / lock washer		



**80**

(1992 → 1996)



Ref. - No.



**30 80 0060**  
**32 71 0003**  
**32 72 0008**  
**32 72 0009**

811 419 831 B  
811 419 812 A  
811 419 801 E  
893 419 802

Lenkmanschette / steering boot  
Spurstangenendstück / tie rod end  
Spurstange / tie rod  
Spurstange / tie rod

**LHD**  
**LHD**

L 150  
M10x1

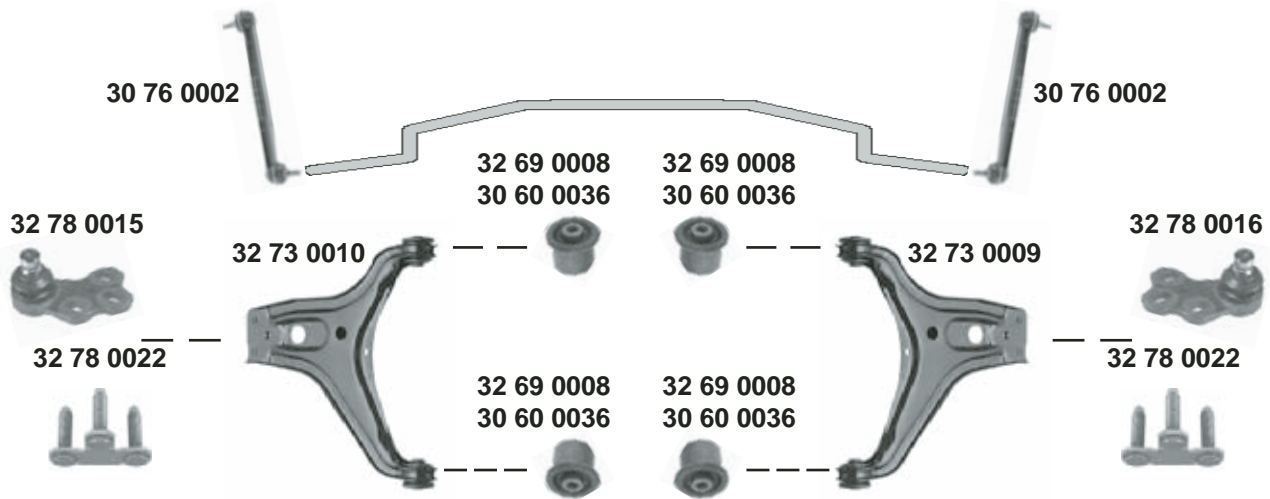


**80**

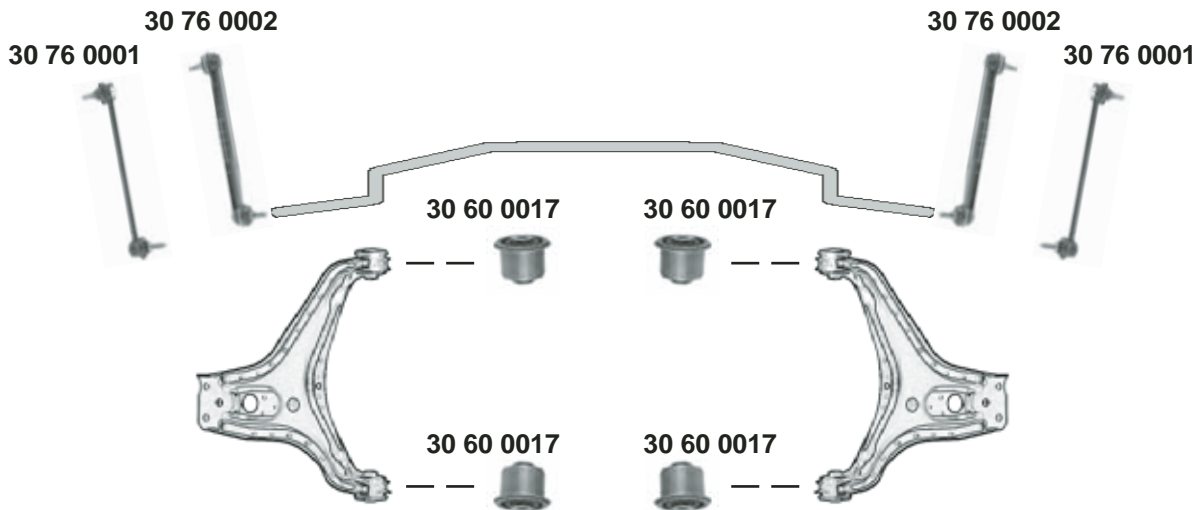
(1992 → 1996)

**Quattro / RS2 Quattro**

(ex.) 2.2 20V (ABY) (ch.) → 8C-R-125 000  
(ex.) RS2 Quattro



**2.2 20V (ABY) (ch.) → 8C-R-125 000  
RS2 Quattro**



	Ref. - No.			
<b>30 60 0017</b>	893 407 181	Querlenkerlager / control arm mount		10x44x44
<b>30 60 0036</b>	8A0 407 181	Querlenkerlager / control arm mount		10x37x44
<b>30 76 0001</b>	8A0 407 465 C	Verbindungsstange / connecting rod		L 269,5
<b>30 76 0002</b>	8A0 407 465	Verbindungsstange / connecting rod		L 269,5
<b>32 69 0008</b>	857 407 181	Querlenkerlager / control arm mount		10x37,5x44
<b>32 73 0009</b>	895 407 148 A	Querlenker / control arm		
<b>32 73 0010</b>	895 407 147 A	Querlenker / control arm		
<b>32 78 0015</b>	8A0 407 365	Traggelenk / ball joint		☒ A 19
<b>32 78 0016</b>	8A0 407 366	Traggelenk / ball joint		☒ A 19
<b>32 78 0022</b>	8A0 407 175	Sicherungsblech / lock washer		

**NEW**  
**RS2 Quattro**  
(ex.) RS2 Quattro  
**OLD**