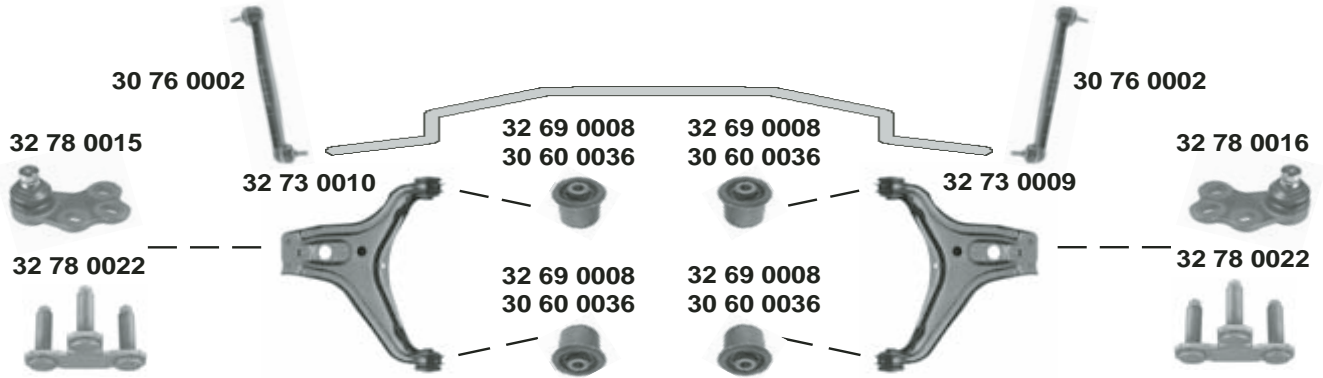




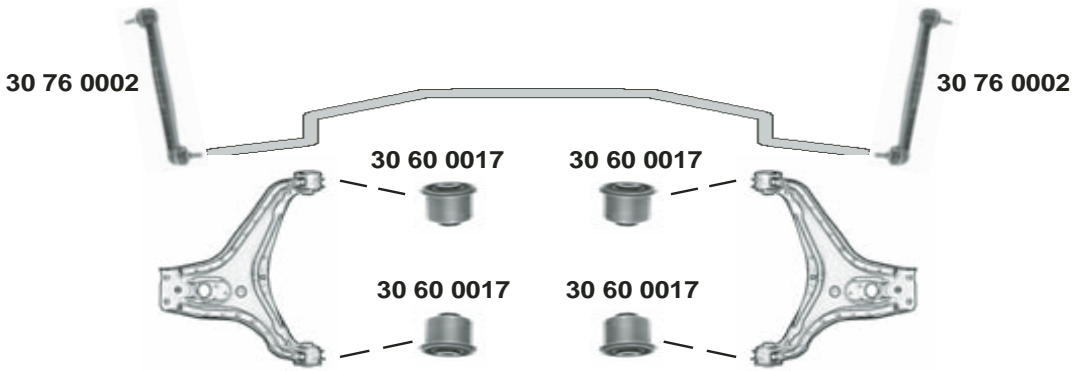
Cabrio
(1989 → 1996)



(ex.) 2.6 V6 / 2.8 V6 (ABC/AAH) (ch.) → 8G-R-003 924



(ex.) 2.6 V6 / 2.8 V6 (ABC/AAH) (ch.) → 8G-R-003 924



	Ref. - No.			
30 60 0017	893 407 181	Querlenkerlager / control arm mount		10x44x44
30 60 0036	8A0 407 181	Querlenkerlager / control arm mount	NEW	10x37x44
30 76 0002	8A0 407 465	Verbindungsstange / connecting rod		L 269,5
30 80 0060	811 419 831 B	Lenkmanschette / steering boot		L 150
32 69 0008	857 407 181	Querlenkerlager / control arm mount	OLD	10x37,5x44
32 71 0003	811 419 812 A	Spurstangenendstück / tie rod end		M10x1
32 72 0008	811 419 801 E	Spurstange / tie rod		
32 72 0009	893 419 802	Spurstange / tie rod	LHD	
32 73 0009	895 407 148 A	Querlenker / control arm	(ch.) 8G-N-001534 →	
32 73 0010	895 407 147 A	Querlenker / control arm	(ch.) 8G-N-001534 →	
32 78 0015	8A0 407 365	Traggelenk / ball joint	(ch.) 8G-N-001534 →	☒ A 19
32 78 0016	8A0 407 366	Traggelenk / ball joint	(ch.) 8G-N-001534 →	☒ A 19
32 78 0022	8A0 407 175	Sicherungsblech / lock washer		