

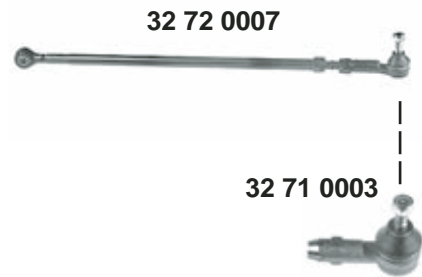
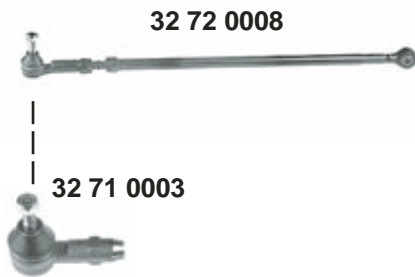


Coupé
(1981 → 1988)

(ex.) Quattro



man.



(1) (ch.) → 85-G-160 000



Ref. - No.



30 80 0060	811 419 831 B	Lenkmanschette / steering boot
32 71 0003	811 419 812 A	Spurstangenendstück / tie rod end
32 72 0007	811 419 802 J	Spurstange / tie rod
32 72 0008	811 419 801 E	Spurstange / tie rod

LHD / (1)
LHD

L 150
M10x1



Coupé
(1981 → 1988)

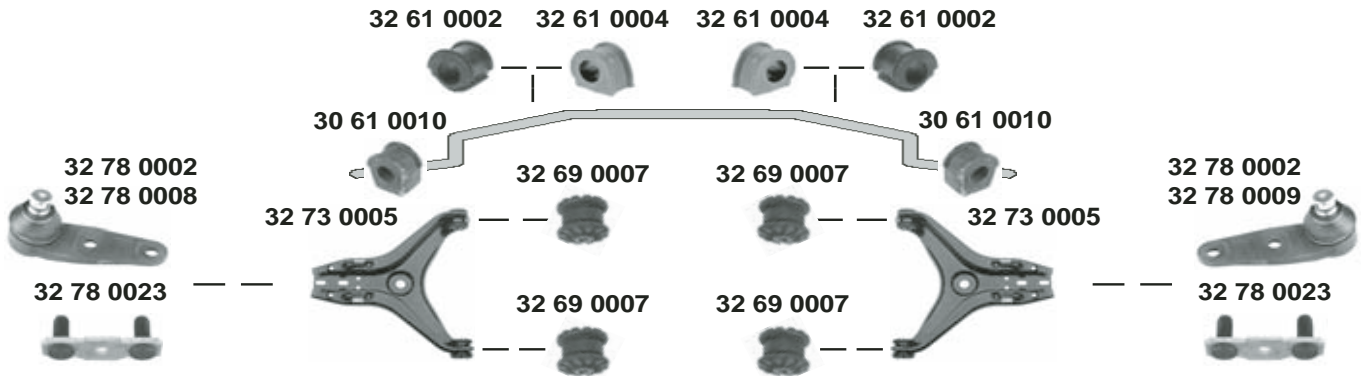
(ex.) Quattro



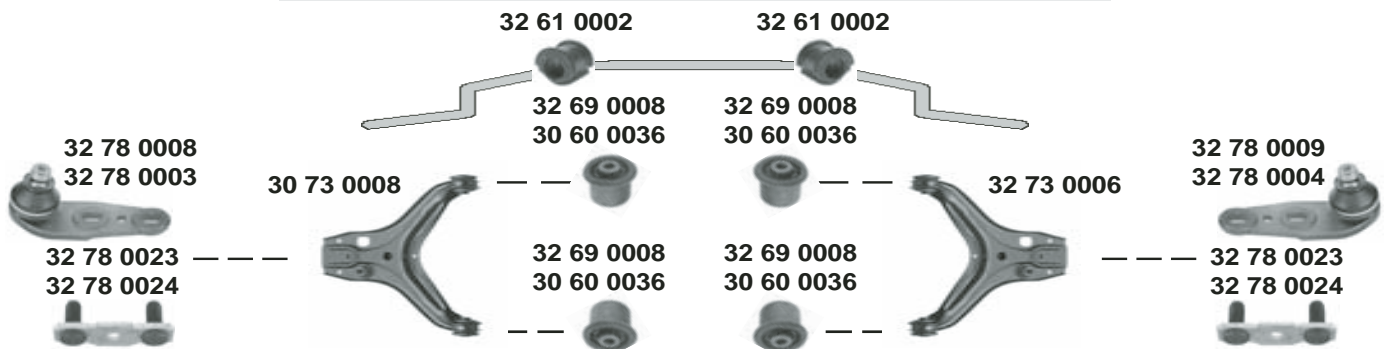
man.



4 cyl. alle / all
5 cyl. (ch.) → 85-D-079 180



5 cyl. (ch.) 85-D-079 181 →



(1) 2.2 (KE/KL) (ch.) → 85-E-220000

(2) 4 cyl. (ch.) → 85-F-166993



Ref. - No.



30 60 0036	8A0 407 181	Querlenkerlager / control arm mount	NEW	10x37x44
30 61 0010	823 411 313 A	Stabilisatorlager / stabilizer mount		∅ I 12,5
30 73 0008	893 407 147 C	Querlenker / control arm		
32 61 0002	811 411 327 A	Stabilisatorlager / stabilizer mount	(ch.) 81-F-166994 →	∅ I 20
32 61 0004	823 411 327 B	Stabilisatorlager / stabilizer mount	(2)	∅ I 19
32 69 0007	811 407 181 A	Querlenkerlager / control arm mount		10x38x44
32 69 0008	857 407 181	Querlenkerlager / control arm mount	OLD	10x37,5x44
32 73 0005	893 407 147 G	Querlenker / control arm	(ex.) 2.2 (KE/KL)	
32 73 0006	893 407 148 C	Querlenker / control arm		
32 78 0003	855 407 365 A	Traggelenk / ball joint	5 cyl. / Modell 88	∅ A 17
32 78 0004	855 407 366 A	Traggelenk / ball joint	5 cyl. / Modell 88	∅ A 17
32 78 0002	823 407 365 E	Traggelenk / ball joint	4 cyl. / 5 cyl. 1.9 (WN)	∅ A 17
32 78 0008	855 407 365	Traggelenk / ball joint	(1)	∅ A 17
32 78 0009	855 407 366	Traggelenk / ball joint	(1)	∅ A 17
32 78 0023	811 407 175 A	Sicherungsblech / lock washer	(ex.) 5 cyl. / Modell 88	
32 78 0024	857 407 175	Sicherungsblech / lock washer	5 cyl. / Modell 8	

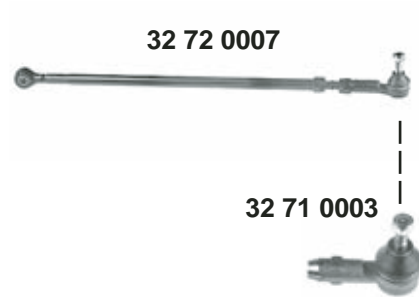
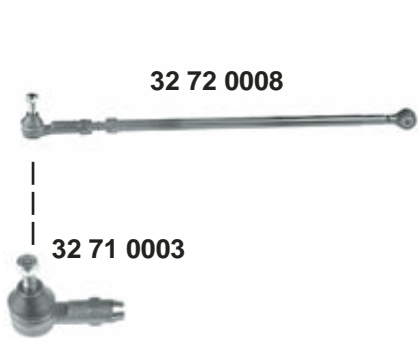


Coupé
(1981 → 1988)





(ex.) Quattro



servo 



(1) (ch.) → 85-G-160 000

	Ref. - No.			
30 80 0060	811 419 831 B	Lenkmanschette / steering boot		L 150
30 80 0061	811 498 020 B	Rep. Satz Servolenkung / rep. kit power steering		
32 71 0003	811 419 812 A	Spurstangenendstück / tie rod end		M10x1
32 72 0007	811 419 802 J	Spurstange / tie rod	LHD / (1)	
32 72 0008	811 419 801 E	Spurstange / tie rod	LHD	

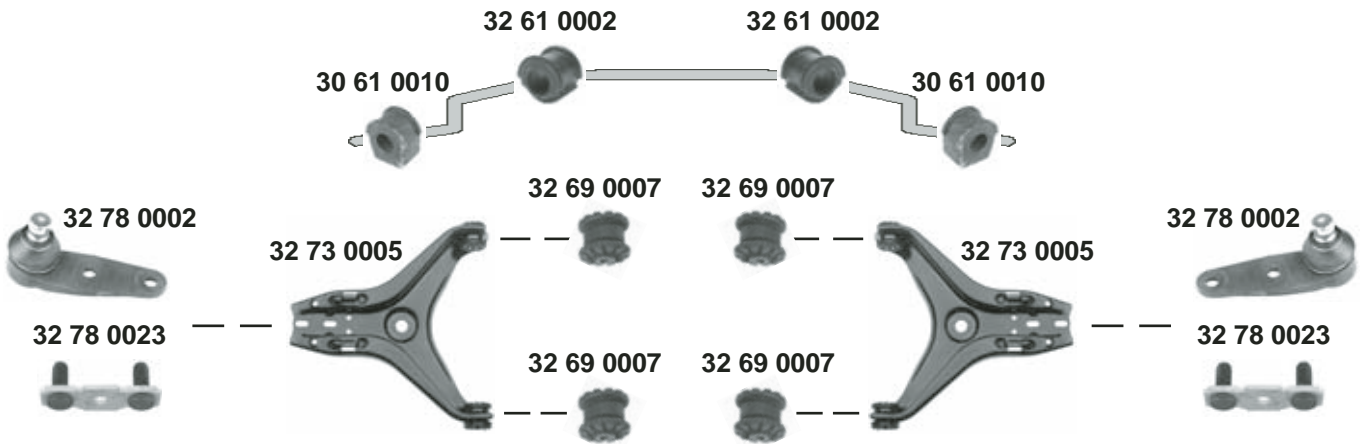


Coupé (1981 → 1988)

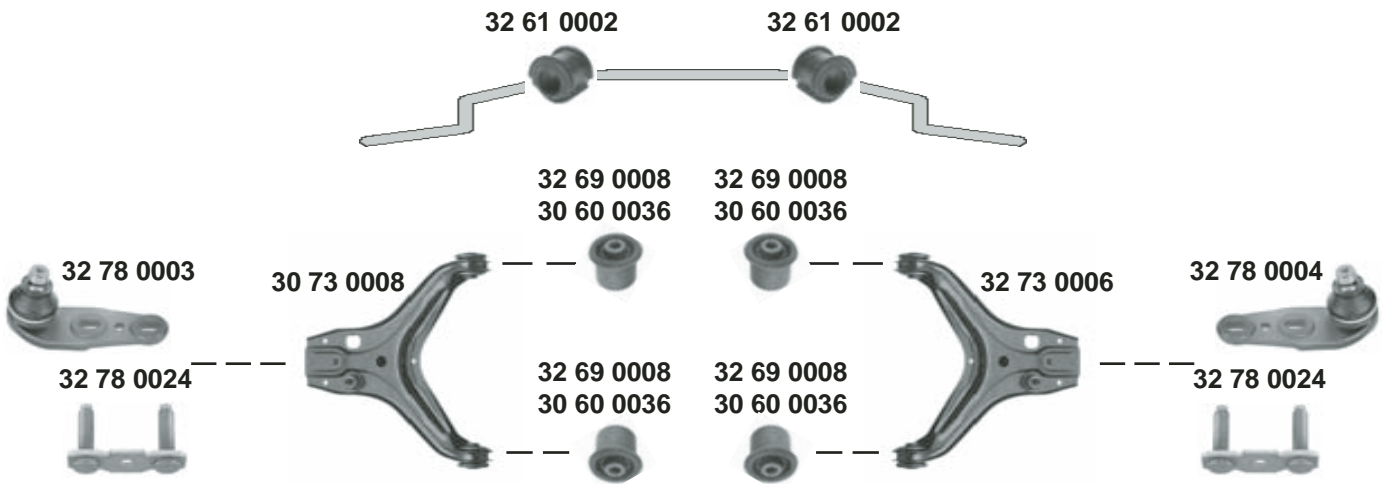
(ex.) Quattro



(ch.) → 85-D-079 180



(ch.) 85-D-079 181 →



Ref. - No.



30 60 0036	8A0 407 181	Querlenkerlager / control arm mount	NEW	10x37x44
30 61 0010	823 411 313 A	Stabilisatorlager / stabilizer mount		∅ I 12,5
30 73 0008	893 407 147 C	Querlenker / control arm		
32 61 0002	811 411 327 A	Stabilisatorlager / stabilizer mount	(ch.) 81-F-166 994 →	∅ I 20
32 69 0007	811 407 181 A	Querlenkerlager / control arm mount		10x38x44
32 69 0008	857 407 181	Querlenkerlager / control arm mount	OLD	10x37,5x44
32 73 0006	893 407 148 C	Querlenker / control wrm		
32 73 0005	893 407 147 G	Querlenker / control arm		
32 78 0002	823 407 365 E	Traggelenk / ball joint		∅ A 17
32 78 0003	855 407 365 A	Traggelenk / ball joint		∅ A 17
32 78 0004	855 407 366 A	Traggelenk / ball joint		∅ A 17
32 78 0023	811 407 175 A	Sicherungsblech / lock washer		
32 78 0024	857 407 175	Sicherungsblech / lock washer		

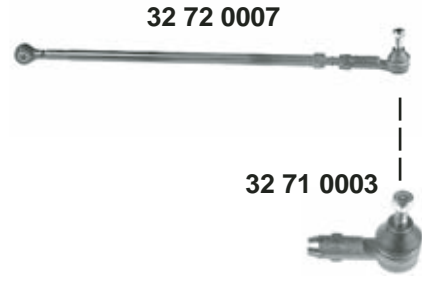
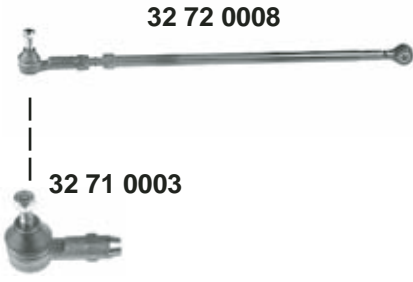


Coupé
(1981 → 1988)

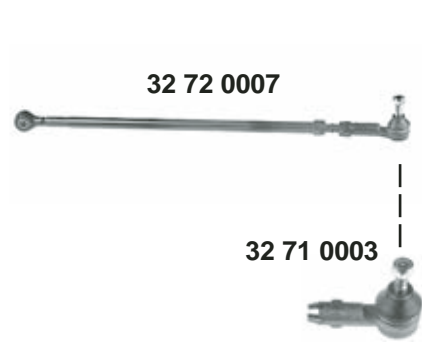
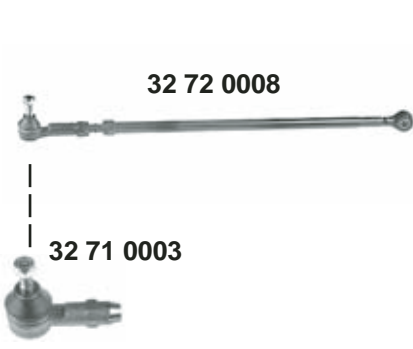
Quattro



man.



servo



(1) (ch.) → 85-G-160 000

	Ref. - No.			
30 80 0060	811 419 831 B	Lenkmanschette / steering boot	LHD / (1) LHD	L 150
30 80 0061	811 498 020 B	Rep. Satz Servolenkung / rep. kit power steering		M10x1
32 71 0003	811 419 812 A	Spurstangenendstück / tie rod end		
32 72 0007	811 419 802 J	Spurstange / tie rod		
32 72 0008	811 419 801 E	Spurstange / tie rod		



Coupé (1981 → 1988)

Quattro



Ref. - No.



Ref. - No.	Part Description	Status	Dimensions / Notes
30 60 0036	8A0 407 181 Querlenkerlager / control arm mount	NEW	10x37x44
30 73 0008	893 407 147 C Querlenker / control arm		
32 69 0008	857 407 181 Querlenkerlager / control arm mount	OLD	10x37,5x44
32 73 0006	893 407 148 C Querlenker / control wrm		
32 78 0003	855 407 365 A Traggelenk / ball joint		☒ A 17
32 78 0004	855 407 366 A Traggelenk / ball joint		☒ A 17
32 78 0024	857 407 175 Sicherungsblech / lock washer		



Coupé
(1989 → 1996)

(ex.) Quattro



	Ref. - No.			
30 80 0060	811 419 831 B	Lenkmanschette / steering boot		L 150
30 80 0061	811 498 020 B	Rep. Satz Servolenkung / rep. kit power steering		
32 71 0003	811 419 812 A	Spurstangenendstück / tie rod end		M10x1
32 72 0008	811 419 801 E	Spurstange / tie rod	LHD	
32 72 0009	893 419 802	Spurstange / tie rod	LHD	

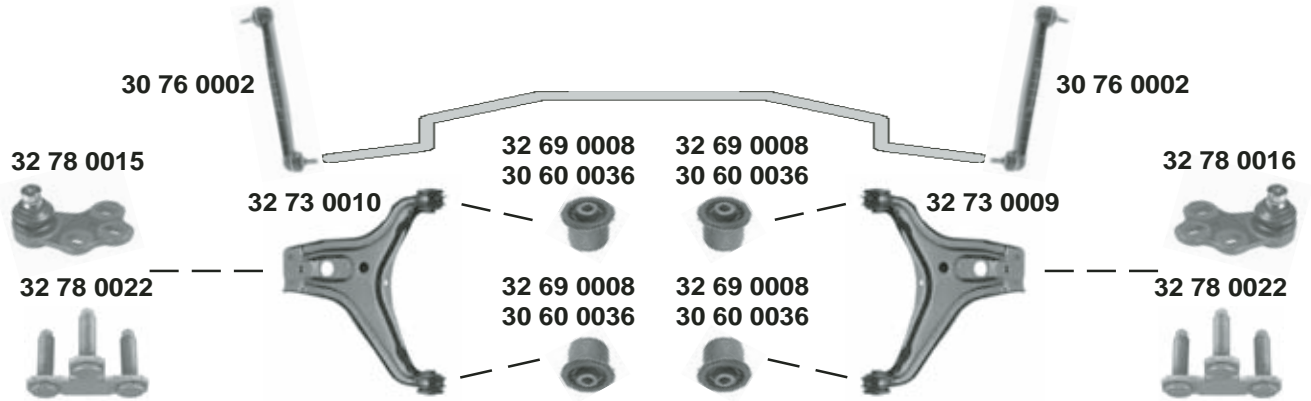


Coupé (1989 → 1996)

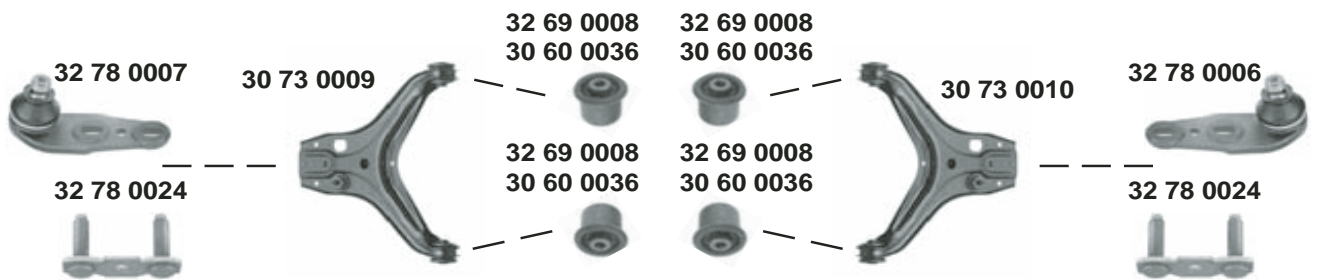
(ex.) Quattro



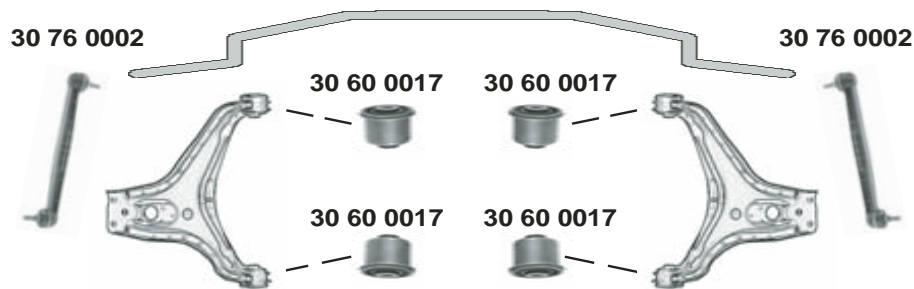
(ex.) 2.0 (AAD / 3A)
 (ex.) 2.8 V6 (AAH) (ch.) 8B-N-000 256 → 8B-N-009 191



2.0 (AAD / 3A)



2.8 V6 (AAH) (ch.) 8B-N-000 256 → 8B-N-009 191



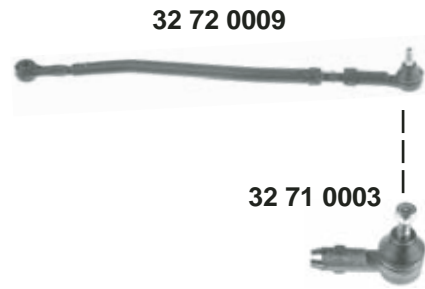
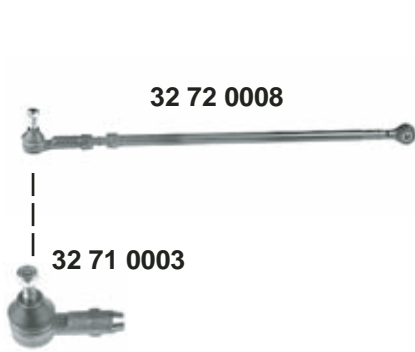
Ref. - No.



30 60 0017	893 407 181	Querlenkerlager / control arm mount		10x44x44
30 60 0036	8A0 407 181	Querlenkerlager / control arm mount	NEW	10x37x44
30 73 0009	893 407 147 E	Querlenker / control arm	(ch.) 8B-L-003792 →	
30 73 0010	893 407 148 E	Querlenker / control arm	(ch.) 8B-L-003792 →	
30 76 0002	8A0 407 465	Verbindungsstange / connecting rod		L 269,5
32 69 0008	857 407 181	Querlenkerlager / control arm mount	OLD	10x37,5x44
32 73 0009	895 407 148 A	Querlenker / control arm	(ch.) 8B-L-003792 →	
32 73 0010	895 407 147 A	Querlenker / control arm	(ch.) 8B-L-003792 →	
32 78 0006	893 407 366 F	Traggelenk / ball joint		☒ A 19
32 78 0007	893 407 365 F	Traggelenk / ball joint		☒ A 19
32 78 0015	8A0 407 365	Traggelenk / ball joint		☒ A 19
32 78 0016	8A0 407 366	Traggelenk / ball joint		☒ A 19
32 78 0022	8A0 407 175	Sicherungsblech / lock washer		
32 78 0024	857 407 175	Sicherungsblech / lock washer		



Coupé
(1989 → 1996)

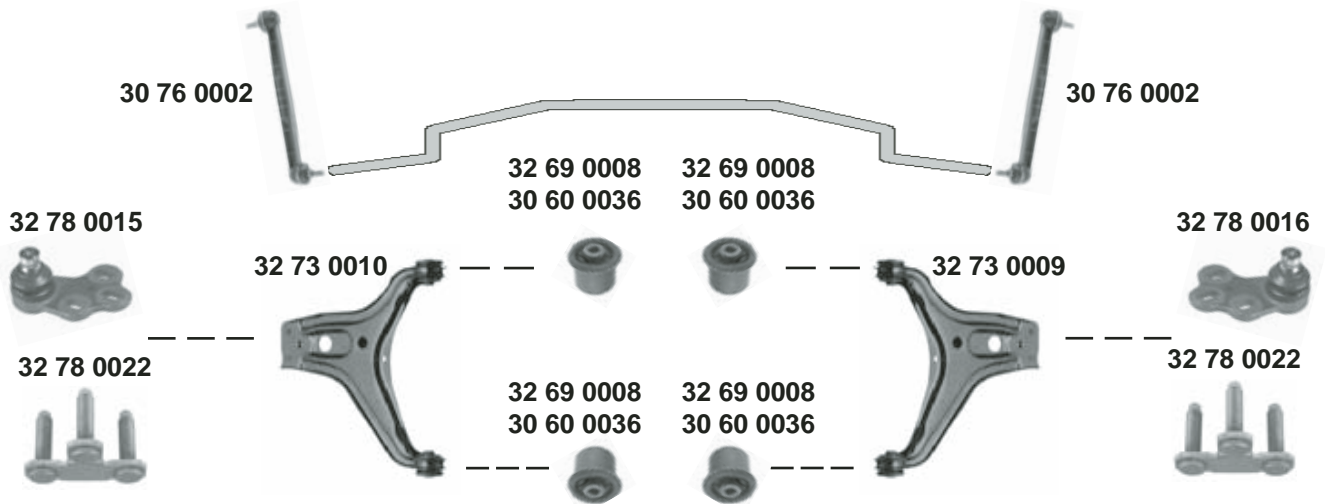


	Ref. - No.			
30 80 0060	811 419 831 B	Lenkmanschette / steering boot		L 150
30 80 0061	811 498 020 B	Rep. Satz Servolenkung / rep. kit power steering		
32 71 0003	811 419 812 A	Spurstangenendstück / tie rod end		M10x1
32 72 0008	811 419 801 E	Spurstange / tie rod	LHD	
32 72 0009	893 419 802	Spurstange / tie rod	LHD	



Coupé (1989 → 1996)

(ex.) 2.2 20V (ABY) (ch.) 8B-N-000 001 → 8B-R-005 000
(ex.) 2.2 20 V (3B) (ch.) → 8B-M-040000



2.2 20V (ABY) (ch.) 8B-N-000 001 → 8B-R-005 000
2.2 20 V (3B) (ch.) → 8B-M-040000



Ref. - No.				
30 60 0017	893 407 181	Querlenkerlager / control arm mount		10x44x44
30 60 0036	8A0 407 181	Querlenkerlager / control arm mount		10x37x44
30 76 0002	8A0 407 465	Verbindungsstange / connecting rod		L 269,5
32 69 0008	857 407 181	Querlenkerlager / control arm mount		10x37,5x44
32 73 0009	895 407 148 A	Querlenker / control arm		
32 73 0010	895 407 147 A	Querlenker / control arm		
32 78 0015	8A0 407 365	Traggelenk / ball joint		☑ A 19
32 78 0016	8A0 407 366	Traggelenk / ball joint		☑ A 19
32 78 0022	8A0 407 175	Sicherungsblech / lock washer		

NEW

OLD

(ch.) 8B-L-000001 →
(ch.) 8B-L-000001 →