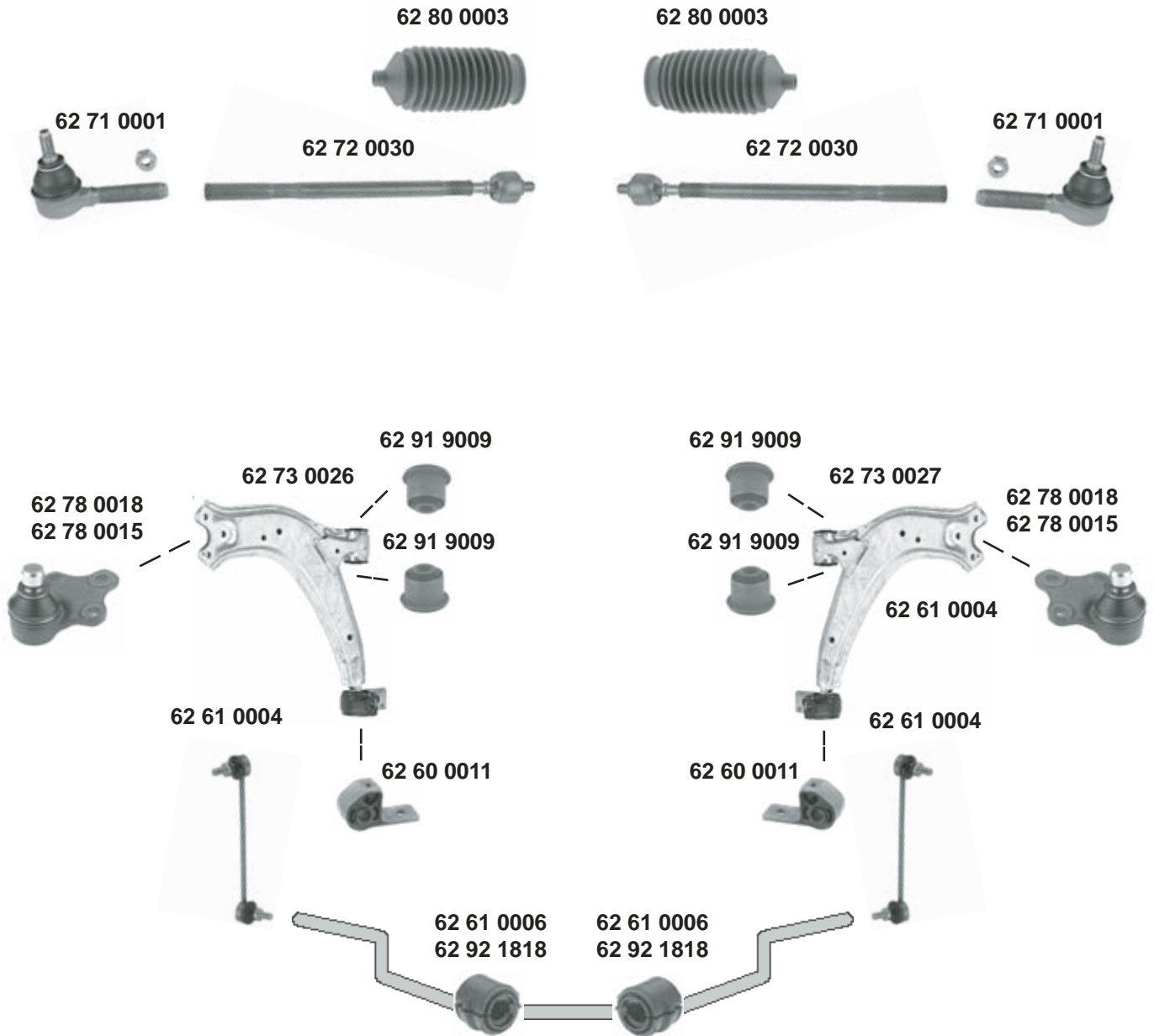




Berlingo (1996 →)

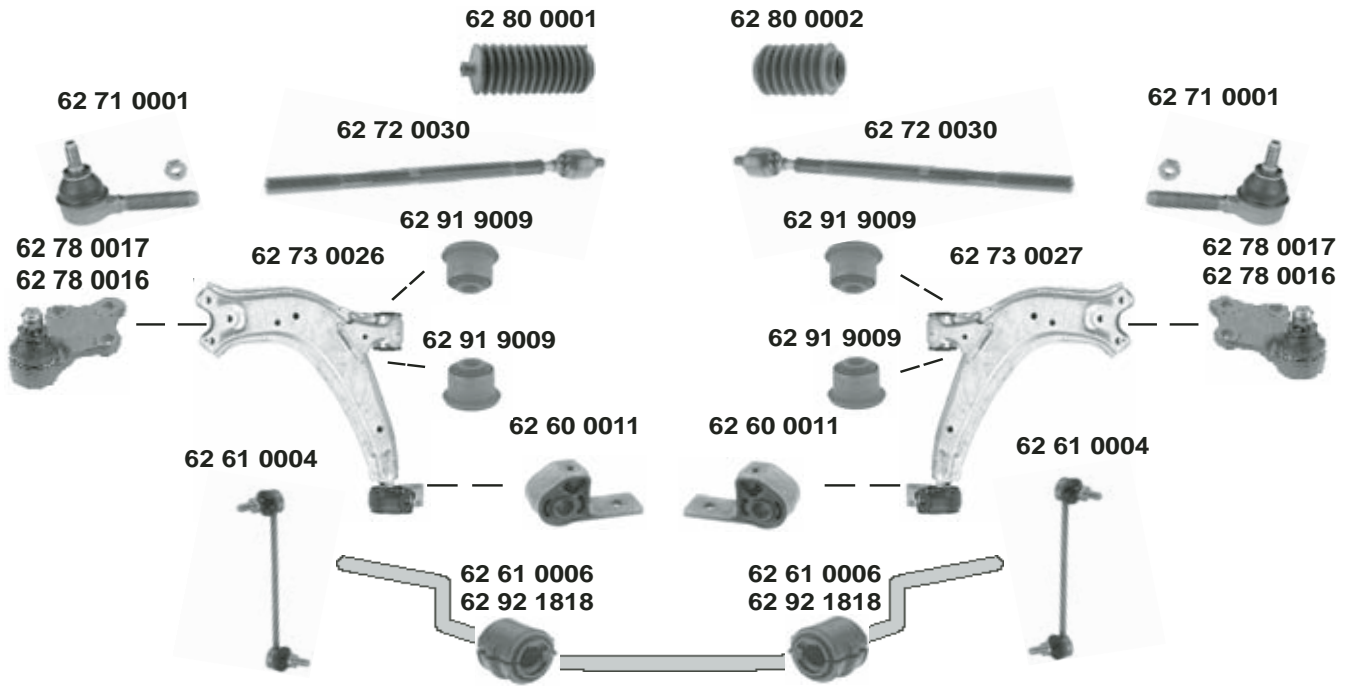


	Ref. - No.			
62 60 0011	3523.75	Querlenkerlager / control arm mount	(ex.) 2.0 HDI	
62 61 0004	5087.46	Verbindungsstange / connection rod	für/to fit Stabi Ø A 21	L 300
62 61 0006	5094.65	Stabilisatorlager / stabilizer mount	(ex.) 2.0 HDI	∅ I 21
62 71 0001	3817.50	Spurstangenendstück / tie rod end	(ex.) 2.0 HDI	M10x1,25
62 72 0030	3812.C0	Spurstange / tie rod	(ex.) 2.0 HDI	L 345
62 73 0026	3520.H5	Querlenker / control arm	(ex.) 2.0 HDI	
62 73 0027	3521.E5	Querlenker / control arm	(ex.) 2.0 HDI	
62 78 0015	3640.50	Traggelenk / ball joint	(ch.) O 7973 → / (ex.) 2.0 HDI	∅ A 18
62 78 0018	3640.43	Traggelenk / ball joint	(ch.) → O 7972 / (ex.) 2.0 HDI	∅ A 16
62 80 0003	4066.43	Lenkmanschette / steering boot		
62 92 1818	5094.77	Stabilisatorlager / stabilizer mount	für/to fit Stabi Ø A 22	∅ I 22

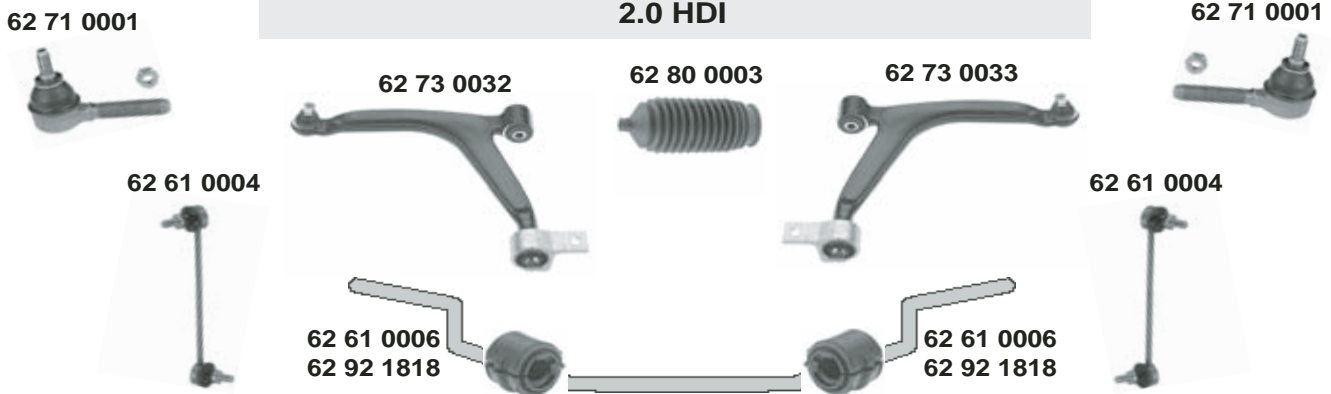


Berlingo (1996 →)

servo  (ex.) 2.0 HDI



2.0 HDI



Ref. - No.



Ref. - No.	Description	Notes	Dimensions
62 60 0011	Querlenkerlager / control arm mount		L 300
62 61 0004	Verbindungsstange / connection rod		∅ I 21
62 61 0006	Stabilisatorlager / stabilizer mount	für/to fit Stabi <input checked="" type="checkbox"/> A 21	M10x1,25
62 71 0001	Spurstangenendstück / tie rod end		L 345
62 72 0030	Spurstange / tie rod		
62 73 0026	Querlenker / control arm		
62 73 0027	Querlenker / control arm		
62 73 0032	Querlenker / control arm		
62 73 0033	Querlenker / control arm		
62 78 0016	Traggelenk / ball joint	(ch.) O 7973 →	∅ A 18
62 78 0017	Traggelenk / ball joint	(ch.) → O 7972	∅ A 16
62 80 0001	Lenkmanschette / steering boot		
62 80 0002	Lenkmanschette / steering boot		
62 80 0003	Lenkmanschette / steering boot		
62 91 9009	Querlenkerlager / control arm mount		
62 92 1818	Stabilisatorlager / stabilizer mount	für/to fit Stabi <input checked="" type="checkbox"/> A 22	∅ I 22