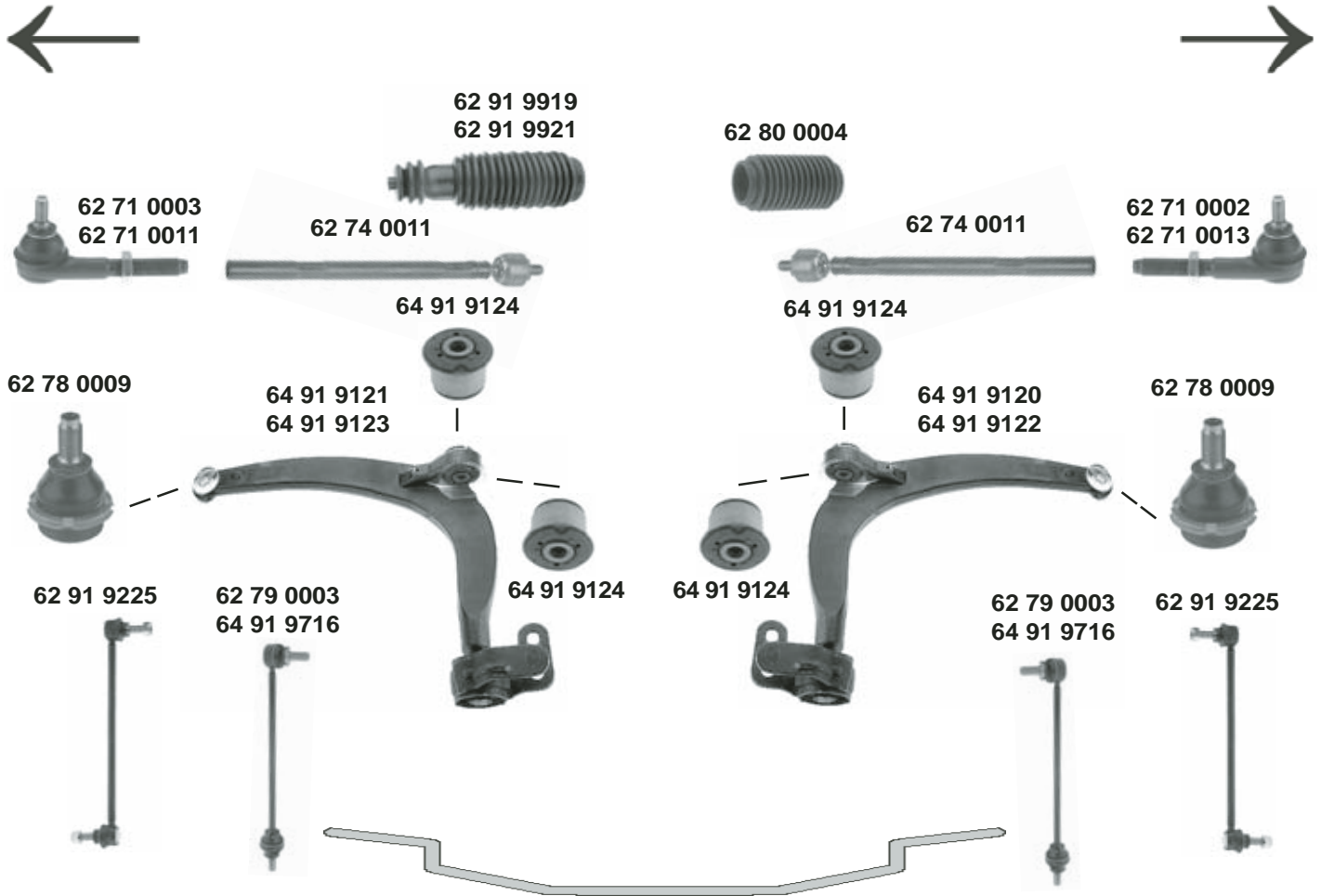




Xantia (1993 → 2001)



(1) 2,0 Turbo; 3,0 V6; 2,0 HDi; 2,1 TD
 (2) (ex) 2,0 Turbo; 3,0 V6; 2,0 HDi; 2,1 TD

(3) (ex.) Hydractiv: O 06615 → O 08150
 (4) (ex.) Hydractiv: O 08151 →



Ref. - No.



| | | | |
|------------|------------|--|-----------------|
| 62 71 0002 | 3817.42 | Spurstangenendstück / tie rod end | (2) |
| 62 71 0003 | 3817.41 | Spurstangenendstück / tie rod end | (2) |
| 62 71 0011 | 3817.43 | Spurstangenendstück / tie rod end | (1) |
| 62 71 0013 | 3817.44 | Spurstangenendstück / tie rod end | (1) |
| 62 74 0011 | 3812.A9 | Spurstange / tie rod | (1) |
| 62 78 0009 | 3640.34 | Traggelenk / Ball Joint | |
| 62 79 0003 | 5087.40 | Verbindungsstange / connecting rod | Hydractiv; (3) |
| 62 80 0004 | 4066.30 | Lenkmanschette / steering boot | |
| 62 91 9919 | 4066.37 | Lenkmanschette / steering boot | (2) |
| 62 91 9921 | 4066.42 | Lenkmanschette / steering boot | (1) |
| 62 91 9225 | 5087.48 | Verbindungsstange / connecting rod | (4) |
| 64 91 9120 | 3521.81 | Querlenker / control arm | (ex.) Hydractiv |
| 64 91 9121 | 3520.C1 | Querlenker / control arm | (ex.) Hydractiv |
| 64 91 9122 | 3521.82 | Querlenker / control arm | Hydractiv |
| 64 91 9123 | 3520.C2 | Querlenker / control arm | Hydractiv |
| 64 91 9124 | 96 083 570 | Querlenkerlager / control arm mounting | |
| 64 91 9716 | 96 145 457 | Verbindungsstange / connecting rod | (ch.) → O 06614 |