

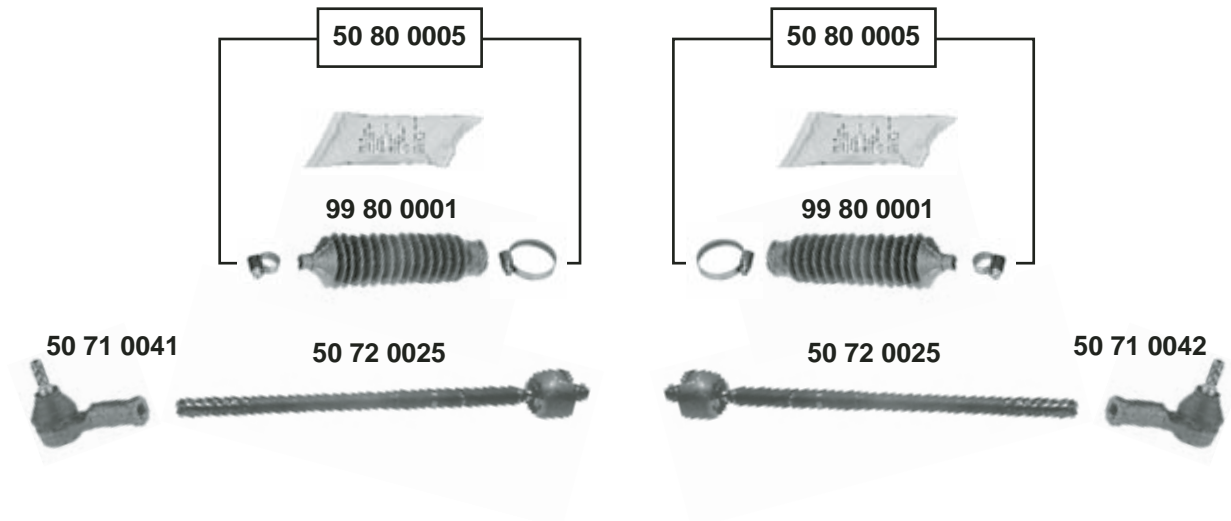


Fiesta 96 (11/95 → 10/01)

Limousine



man.



Ref. - No.



50 71 0041	1 020 175
50 71 0042	1 020 174
50 72 0025	1 044 014
50 80 0005	6 177 346 S
99 80 0001	6 935 233

Spurstangenendstück / tie rod end
Spurstangenendstück / tie rod end
Spurstange / tie rod
Rep. Satz Lenkmanschette / rep. kit steering boot
Lenkmanschette / steering boot

M10x1,25
M10x1,25
L 320

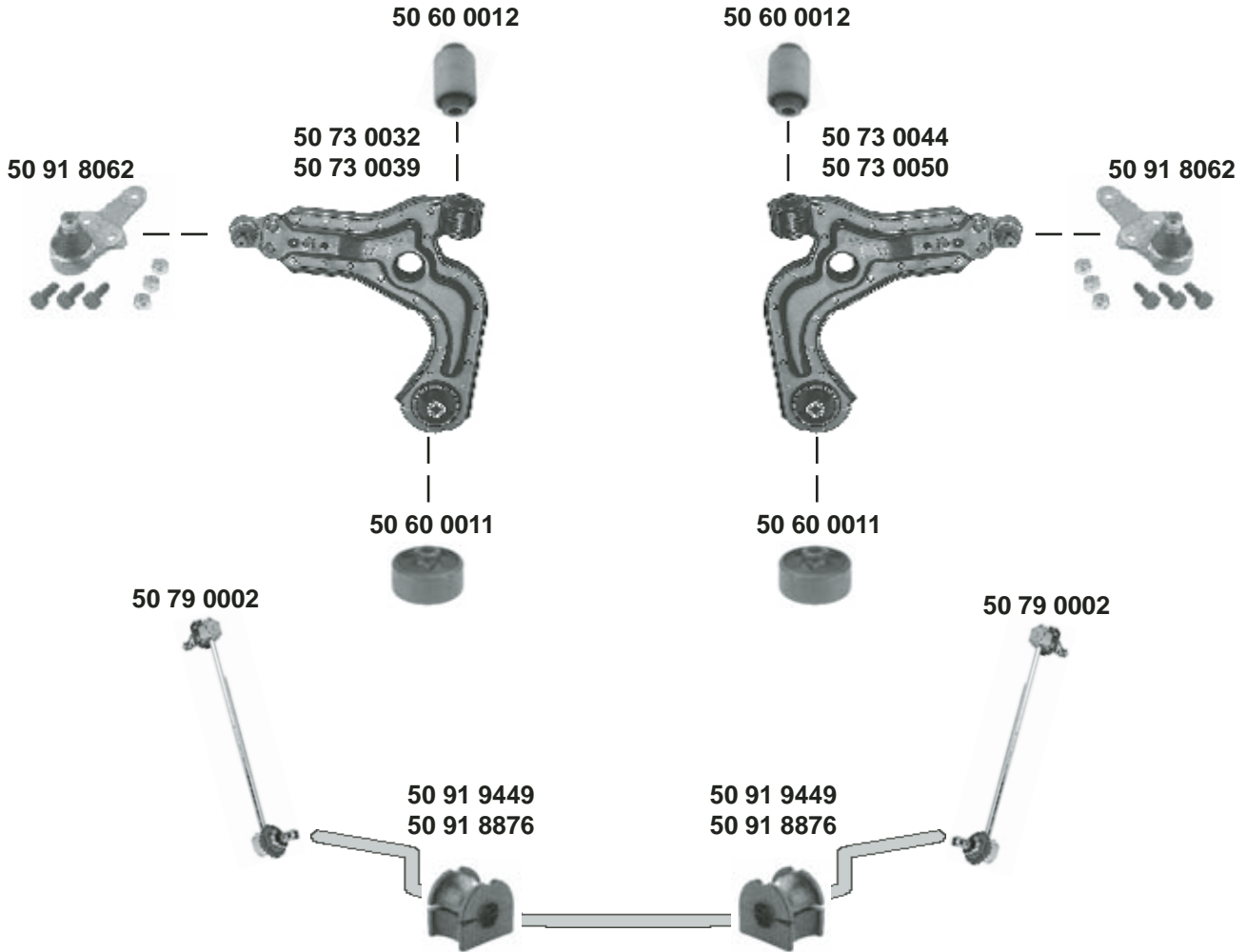


Fiesta 96

(11/95 → 10/01)



man.



- (1) **OLD** = 2 - Blech Ausführung / 2 metal plate execution
 (2) **NEW** = 1 - Blech Ausführung / 1 metal plate execution



Ref. - No.



Ref. - No.	Description	Notes	Dimensions
50 60 0011	Querlenkerlager / control arm mount		13x66x50
50 60 0012	Querlenkerlager / control arm mount		12x37x62
50 73 0032	Querlenker / control arm	→ 05/98, (1)	
50 73 0039	Querlenker / control arm	05/98 →, (2)	
50 73 0044	Querlenker / control arm	→ 05/98, (1)	
50 73 0050	Querlenker / control arm	05/98 →, (2)	
50 79 0002	Verbindungsstange / connection rod		L 238
50 91 8062	Rep. Satz Traggelenk / rep. kit ball joint		☒ A 16,5
50 91 8876	Stabilisatorlager / stabilizer mounting	Diesel	☒ I 16
50 91 9449	Stabilisatorlager / stabilizer mounting	(ex.) Sport, Diesel	☒ I 15

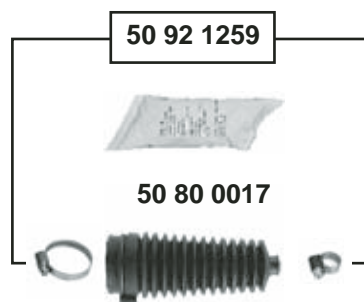
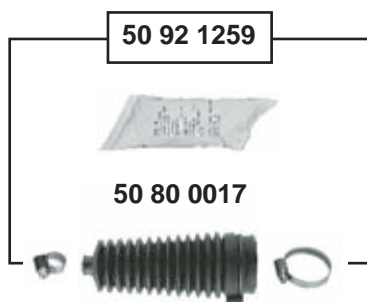


Fiesta 96 (11/95 → 10/01)

Limousine



servo



50 71 0041



50 72 0025



50 72 0025



50 71 0042



Ref. - No.



50 71 0041	1 020 175
50 71 0042	1 020 174
50 72 0025	1 044 014
50 80 0017	4 045 250
50 92 1259	4 045 250 S

Spurstangenendstück / tie rod end
Spurstangenendstück / tie rod end
Spurstange / tie rod
Lenkmanschette / steering boot
Rep. Satz Lenkmanschette / rep. kit steering boot

M10x1,25
M10x1,25
L 320

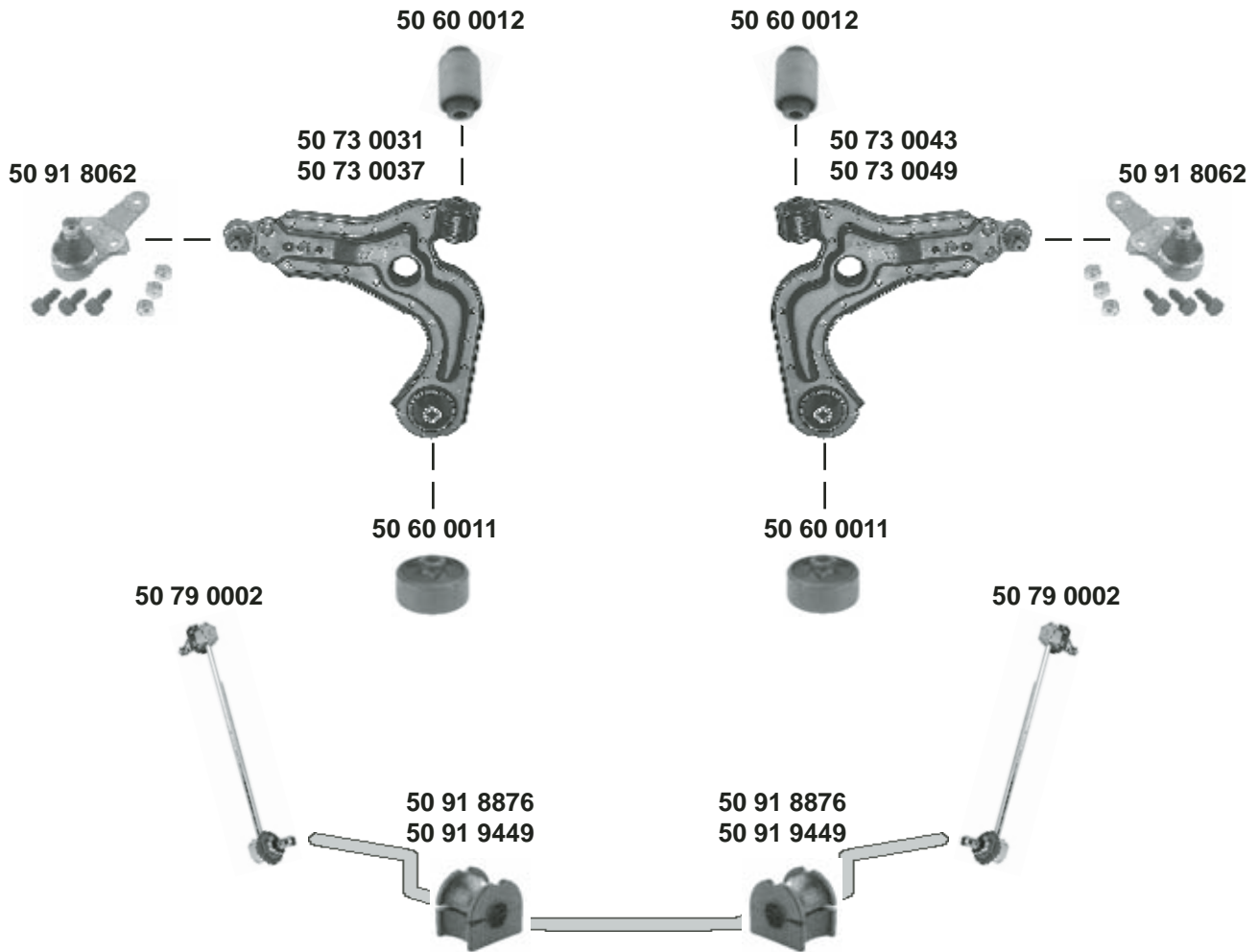


Fiesta 96 (11/95 → 10/01)

Limousine



servo



- (1) **OLD** = 2 - Blech Ausführung / 2 metal plate execution
- (2) **NEW** = 1 - Blech Ausführung / 1 metal plate execution



Ref. - No.



Ref. - No.	Description	Dimensions / Notes
50 60 0011	Querlenkerlager / control arm mount	12x66x50
50 60 0012	Querlenkerlager / control arm mount	12x37x62
50 73 0031	Querlenker / control arm	→ 05/98, (1) 05/98 →, (2) → 05/98, (1) 05/98 →, (2)
50 73 0037	Querlenker / control arm	
50 73 0043	Querlenker / control arm	
50 73 0049	Querlenker / control arm	
50 79 0002	Verbindungsstange / connection rod	L 238
50 91 8062	Rep. Satz Traggelenk / rep. kit ball joint	☒ A 16,5
50 91 8876	Stabilisatorlager / stabilizer mounting	☒ I 16
50 91 9449	Stabilisatorlager / stabilizer mounting	☒ I 15

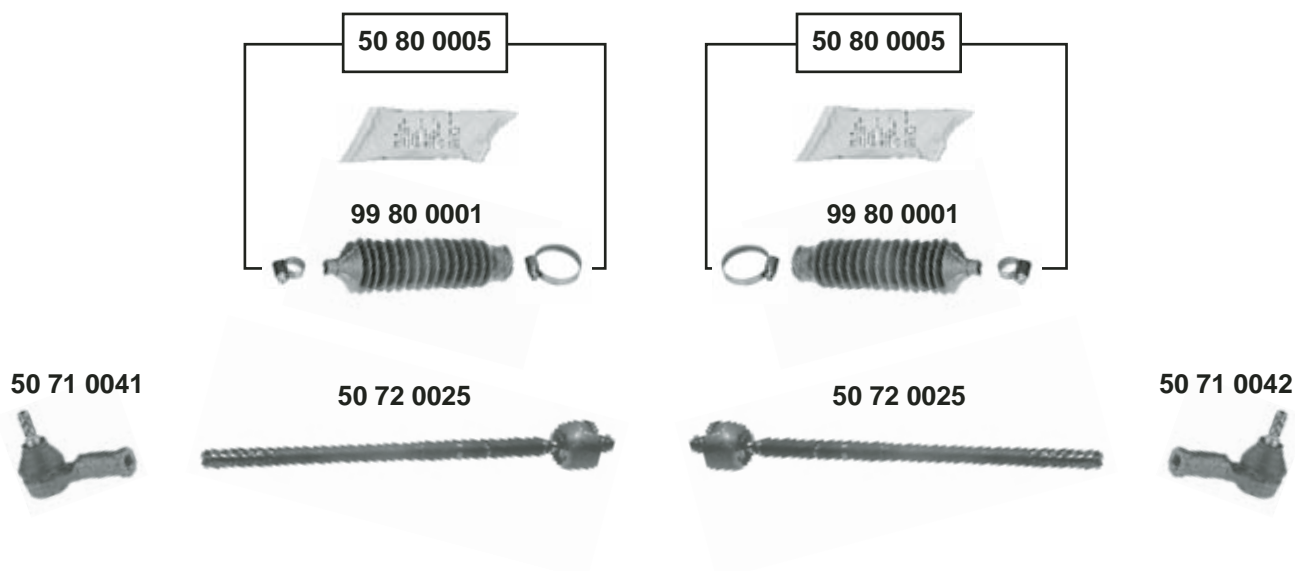
Diesel
(ex.) **Sport, Diesel**



Fiesta 96 (11/95 → 10/01)

Courier

Quality Made For The World



Ref. - No.



50 71 0041	1 020 175
50 71 0042	1 020 174
50 72 0025	1 044 014
50 80 0005	6 177 346 S
99 80 0001	6 935 233

Spurstangenendstück / tie rod end
Spurstangenendstück / tie rod end
Spurstange / tie rod
Rep. Satz Lenkmanschette / rep. kit steering boot
Lenkmanschette / steering boot

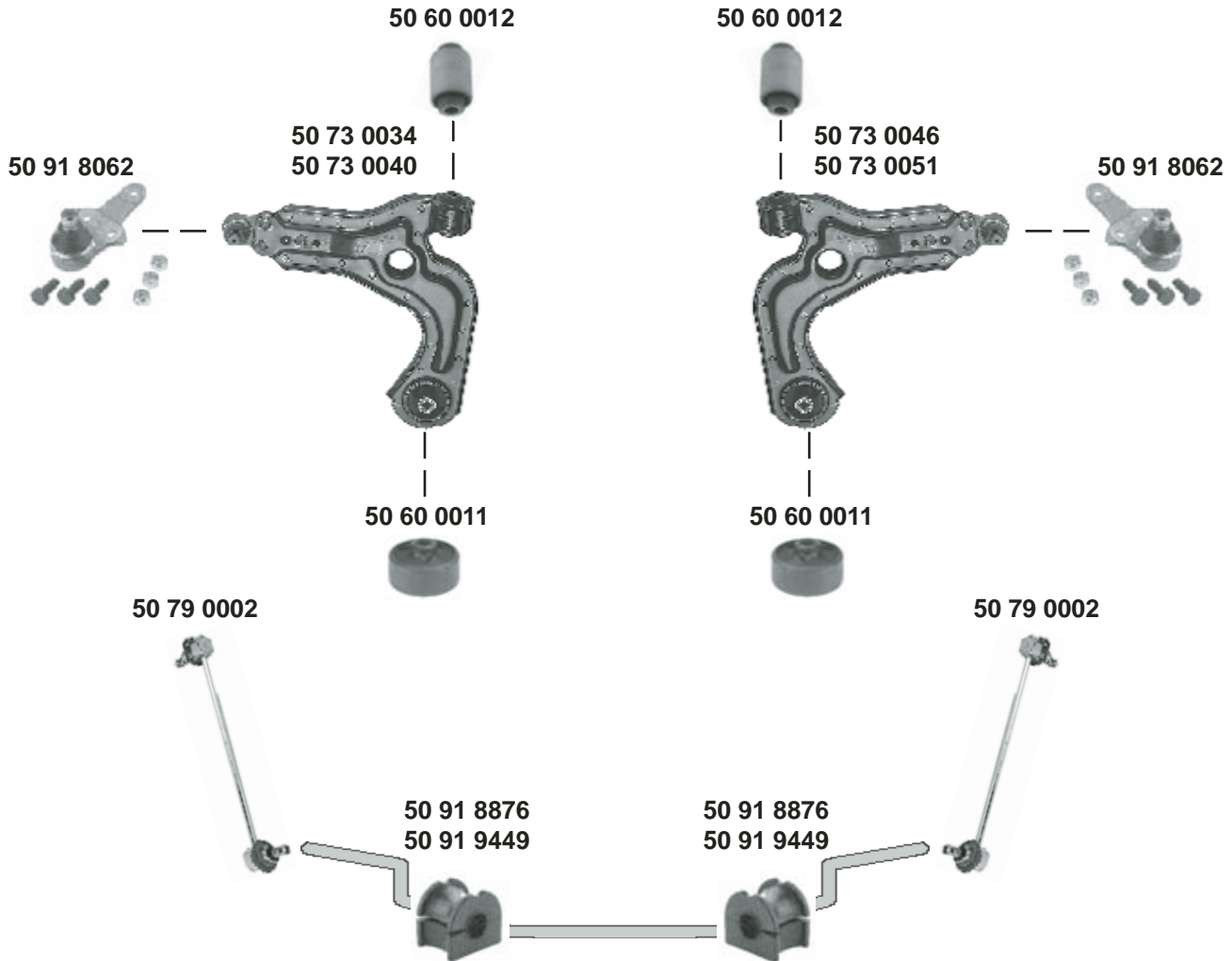


M10x1,25
M10x1,25
L 320



Fiesta 96
(11/95 → 10/01)

Courier



- (1) **OLD** = 2 - Blech Ausführung / 2 metal plate execution
 (2) **NEW** = 1 - Blech Ausführung / 1 metal plate execution



Ref. - No.



Ref. - No.	Description	Dimensions / Notes
50 60 0011	Querlenkerlager / control arm mount	12x66x50
50 60 0012	Querlenkerlager / control arm mount	12x37x62
50 73 0034	Querlenker / control arm	→ 05/98, (1) 05/98 →, (2)
50 73 0040	Querlenker / control arm	
50 73 0046	Querlenker / control arm	→ 05/98, (1) 05/98 →, (2)
50 73 0051	Querlenker / control arm	
50 79 0002	Verbindungsstange / connection rod	L 238
50 91 8062	Rep. Satz Traggelenk / rep. kit ball joint	☒ A 16,5
50 91 8876	Stabilisatorlager / stabilizer mounting	☒ I 16
50 91 9449	Stabilisatorlager / stabilizer mounting	(ex.) Sport, Diesel ☒ I 15