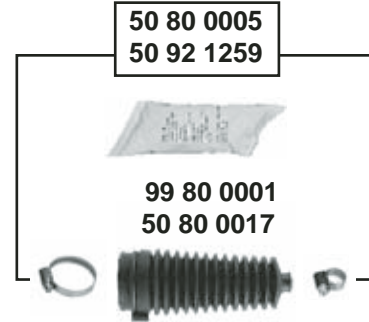
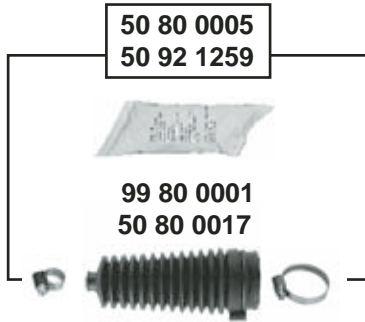




KA 97
(09/96 →)



50 71 0037



50 72 0031



50 72 0031



50 71 0037

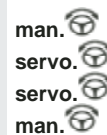


Ref. - No.



50 71 0037	1 034 417
50 72 0031	6 790 700
50 80 0005	6 177 346 S
50 80 0017	4 045 250
50 92 1259	4 045 250 S
99 80 0001	6 935 233

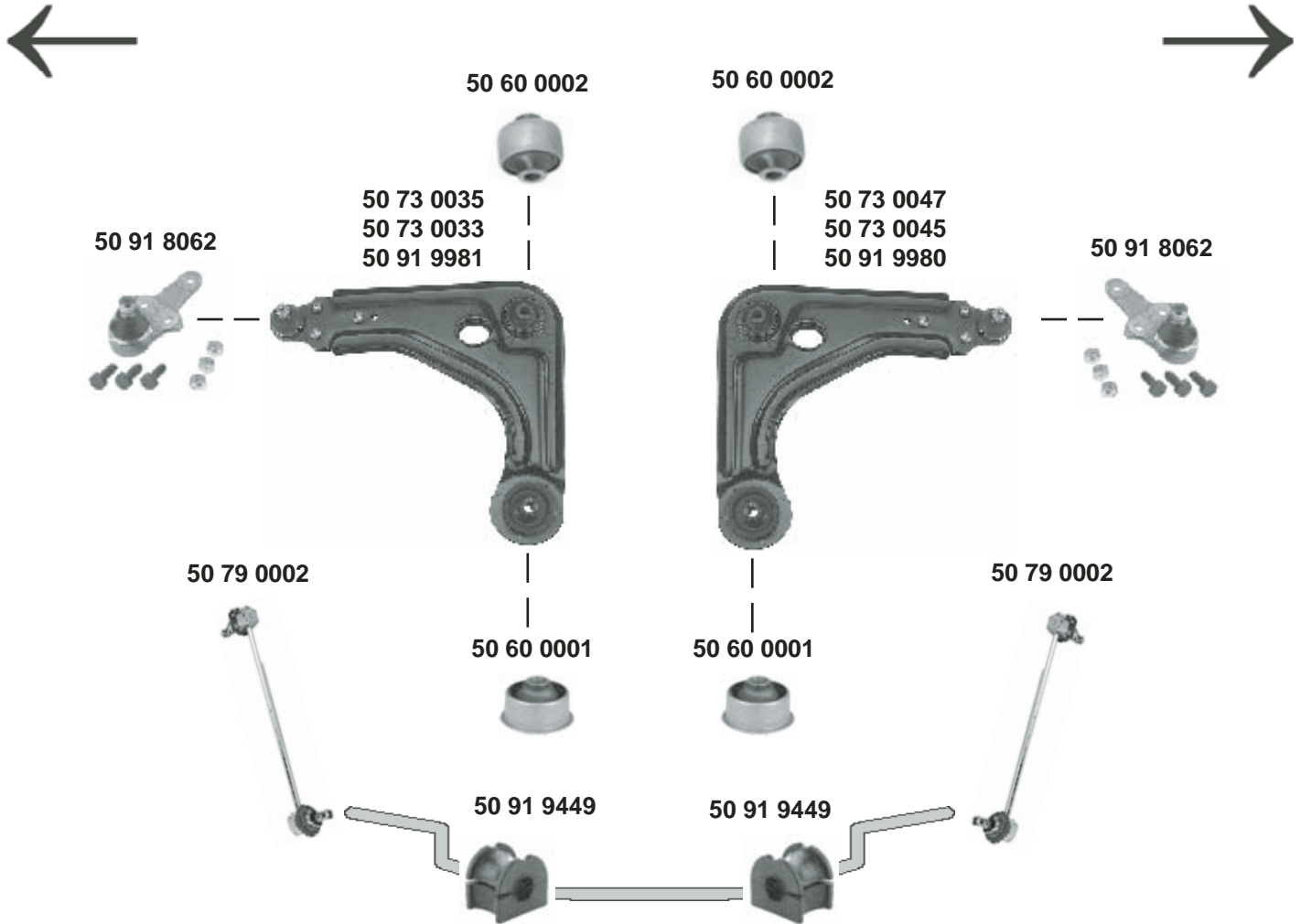
Spurstangenendstück / tie rod end
Spurstange / tie rod
Rep. Satz Lenkmanschette / rep. kit steering boot
Lenkmanschette / steering boot
Rep. Satz Lenkmanschette / rep. kit steering boot
Lenkmanschette / steering boot



M10x1
L 310



KA 97 (09/96 →)



- (1) **OLD** = 2 - Blech Ausführung / 2 metal plate execution
 (2) **NEW** = 1 - Blech Ausführung / 1 metal plate execution



Ref. - No.



Ref. - No.	Description	Notes	Dimensions
50 60 0001	Querlenkerlager / control arm mount		12x46x46
50 60 0002	Querlenkerlager / control arm mount		
50 73 0033	Querlenker / control arm		→ 01/98 / servo. / (1) → 01/98 / man. / (1) → 01/98 / servo. / (1) → 01/98 / man. / (1)
50 73 0035	Querlenker / control arm		
50 73 0045	Querlenker / control arm		
50 73 0047	Querlenker / control arm		
50 79 0002	Verbindungsstange / connecting rod		L 238
50 91 8062	Rep. Satz Traggelenk / rep. kit ball joint		
50 91 9449	Stabilisatorlager / stabilizer mounting		<input checked="" type="checkbox"/> A 16,5 <input checked="" type="checkbox"/> I 15
50 91 9980	Querlenker / control arm	01/98 → / servo. (2)	
50 91 9981	Querlenker / control arm	01/98 → / servo. (2)	