



## Accord (CA) (1985 → 1989)

← unten / lower →

85 78 0002



85 78 0002



Ref. - No.



**85 78 0002**

51220-SK7-013

Traggelenk / ball joint

M12x1,25



## Accord (CB) (1990 → 1993)



85 71 0002



85 71 0001



unten / lower

85 78 0001



85 73 0003



85 78 0001



85 73 0002



Ref. - No.



<b>85 71 0001</b>	53540-SM4-003	Spurstangenendstück / tie rod end	<b>CB1 / CB3 / CB7</b>	M12x1,25
<b>85 71 0002</b>	53560-SM4-003	Spurstangenendstück / tie rod end	<b>CB1 / CB3 / CB7</b>	M12x1,25
<b>85 73 0002</b>	51355-SM4-040	Querlenker / control arm	<b>CB1 / CB3 / CB7</b>	
<b>85 73 0003</b>	51365-SM4-040	Querlenker / control arm	<b>CB1 / CB3 / CB7</b>	
<b>85 78 0001</b>	51220-SM4-013	Traggelenk / ball joint	<b>CB1 / CB3 / CB7</b>	M12x1,25



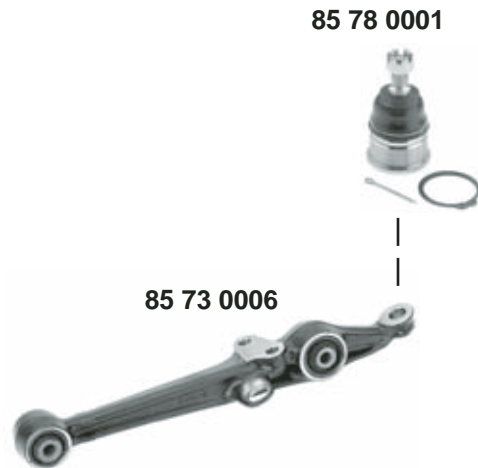
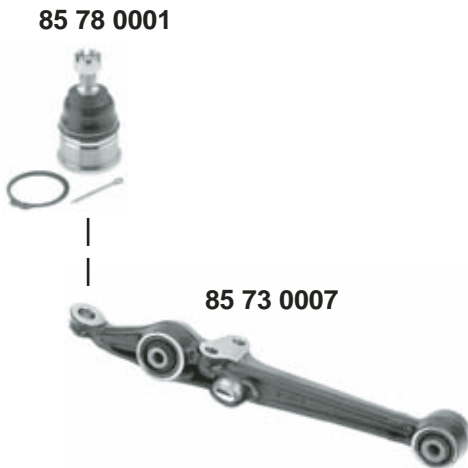
## Accord (CC / CE / CF) (1993 → 1998)



oben / upper



unten / lower



Ref. - No.



<b>85 71 0001</b>	53540-SM4-003	Spurstangenendstück / tie rod end	<b>CE7, CE8, CE9, CF1</b>	M12x1,25
<b>85 71 0002</b>	53560-SM4-003	Spurstangenendstück / tie rod end	<b>CE7, CE8, CE9, CF1</b>	M12x1,25
<b>85 73 0001</b>	51450-SM4-023	Querlenker / control arm	<b>CC7, CE7, CE8, CE9, CF1</b>	
<b>85 73 0006</b>	51355-SV4-000	Querlenker / control arm	<b>CE1, CE2</b>	
<b>85 73 0007</b>	51365-SV4-000	Querlenker / control arm	<b>CE1, CE2</b>	
<b>85 73 0008</b>	51460-SM4-023	Querlenker / control arm	<b>CC7, CE7, CE8, CE9, CF1</b>	
<b>85 73 0011</b>	51450-SV4-000	Querlenker / control arm	<b>CE1, CE2</b>	
<b>85 73 0012</b>	51460-SV4-000	Querlenker / control arm	<b>CE1, CE2</b>	
<b>85 78 0001</b>	51220-SM4-013	Traggelenk / ball joint	<b>CC7, CE1, CE2</b>	M12x1,25