



**Omega (B15\_)**  
(1983 → 1987)

Quality Made For The World



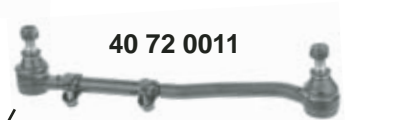
(ch.) → X 1999999



40 72 0010



40 72 0012



40 72 0011

40 71 0010

40 71 0003

40 71 0002

40 71 0011



(ch.) Y 2000000 →



40 72 0010

40 71 0003

40 71 0002



676

(1) (ch.) → X 1999999  
(ch.) Y 2000000 →

alle / all  
(ex.) Sport



Ref. - No.



40 71 0002	0322 172
40 71 0003	0322 171
40 71 0010	0322 179
40 71 0011	0322 180
40 72 0010	0322 166
40 72 0011	0322 168
40 72 0012	0322 169

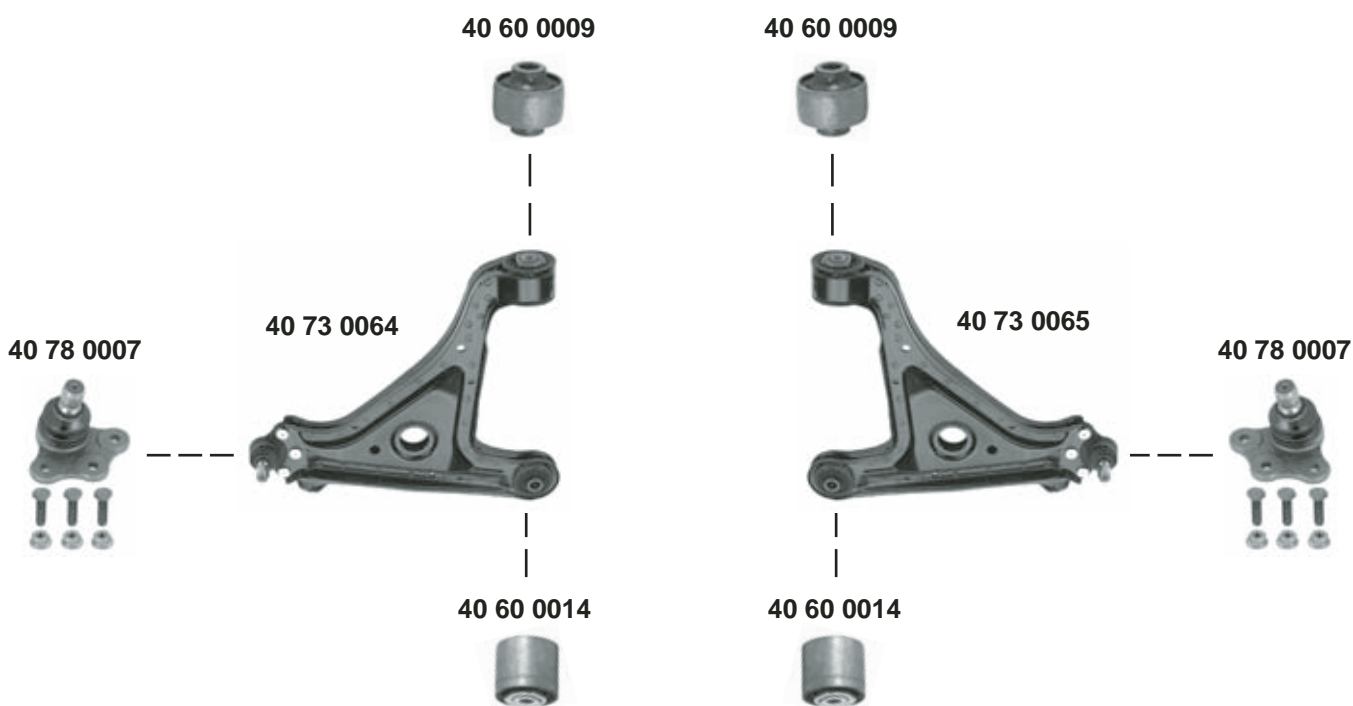
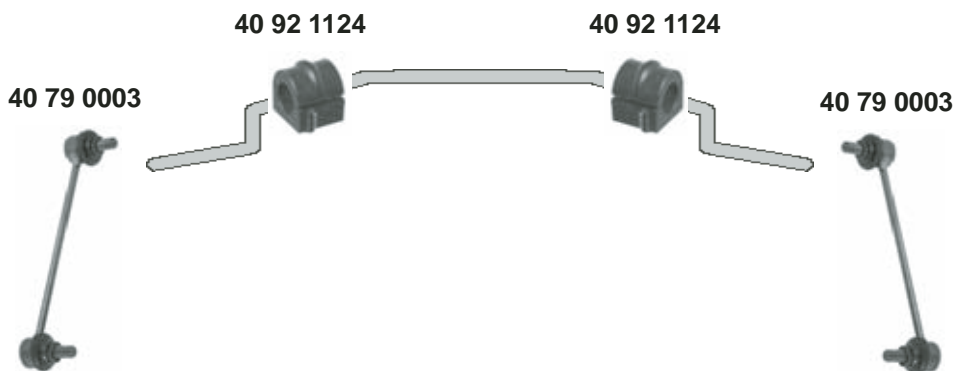
Spurstangenendstück / tie rod end
Spurstangenendstück / tie rod end
Spurstangenendstück / tie rod end
Spurstangenendstück / tie rod end
Spurstange / tie rod
Spurstange / tie rod
Spurstange / tie rod

LHD / (1)

M14x1,5 RHT
M14x1,5 LHT
M14x1,5 RHT
M14x1,5 LHT
L 605
L 354
L 354



## Omega B (1994 → )



Ref. - No.			
<b>40 60 0009</b>	0352 303	Querlenkerlager / control arm mount	14x49x45,5 14x58,5x56
<b>40 60 0014</b>	0352 302	Querlenkerlager / control arm mount	
<b>40 73 0064</b>	0352 029	Querlenkerlager / control arm mount	(ch.) → W 1172238
<b>40 73 0065</b>	0352 028	Querlenkerlager / control arm mount	
<b>40 78 0007</b>	0352 800	Traggelenk / ball joint	☒ A 18 L 225 ☒ I 23
<b>40 79 0003</b>	0350 609	Verbindungsstange / connection rod	
<b>40 92 1124</b>	0350 147	Stabilisatorlager / stabilizer mounting	