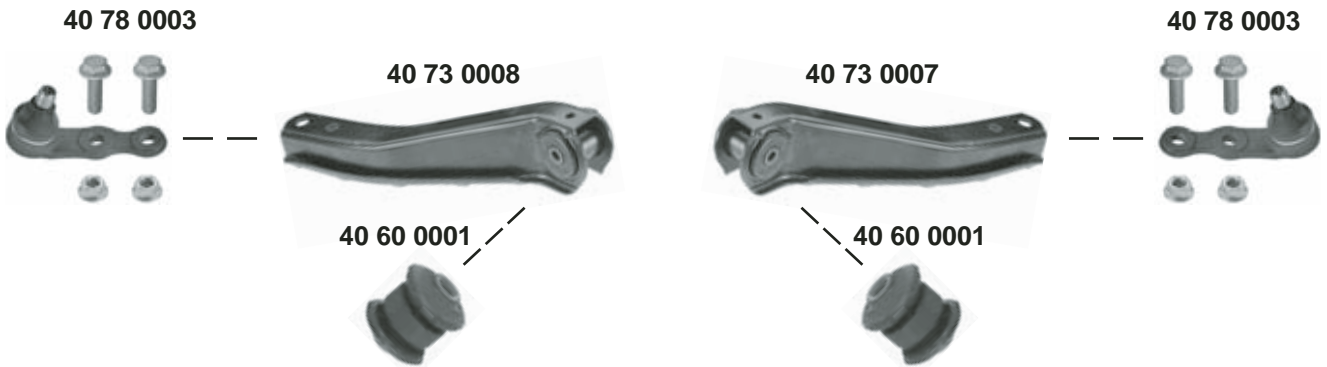
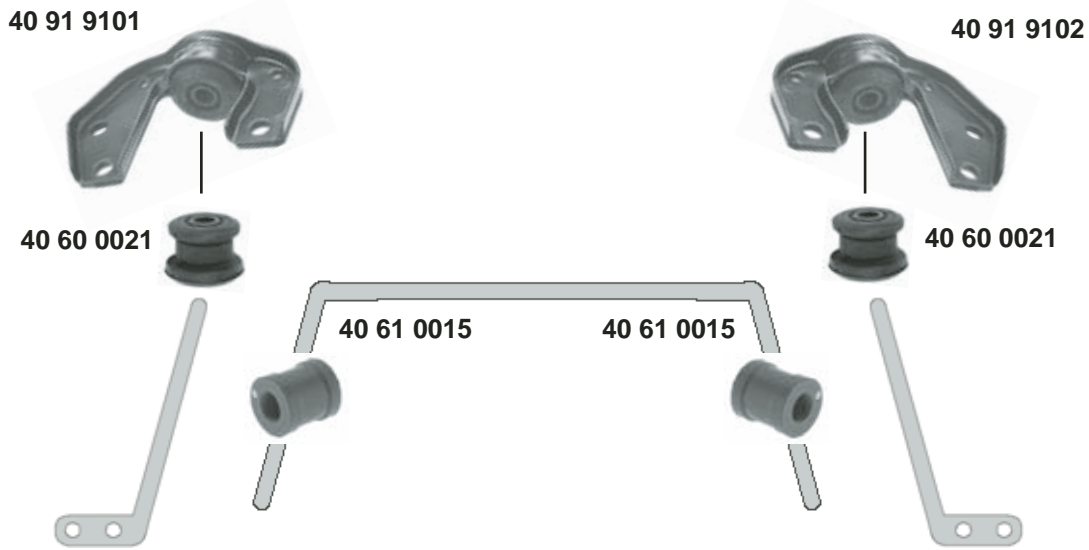




Tigua
(1994 → 2000)

(ch.) → V 3023597, V 4166925, V 6066279



Ref. - No.



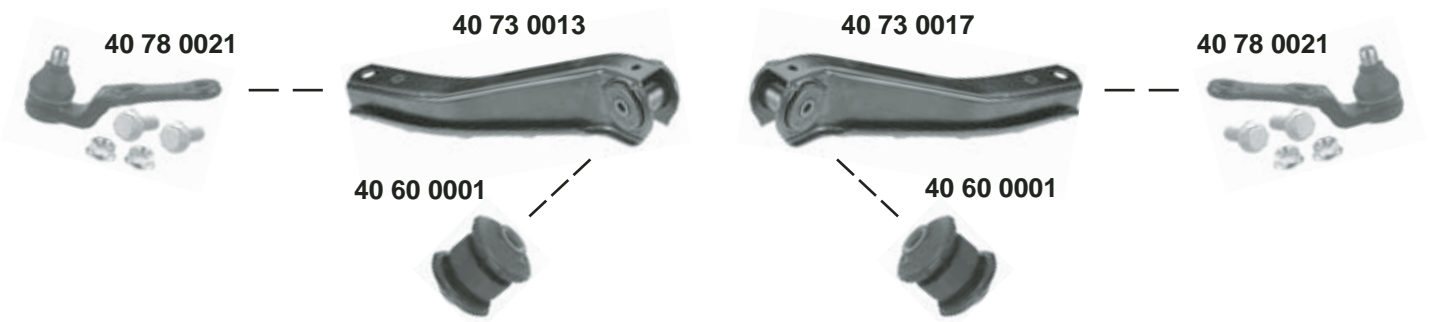
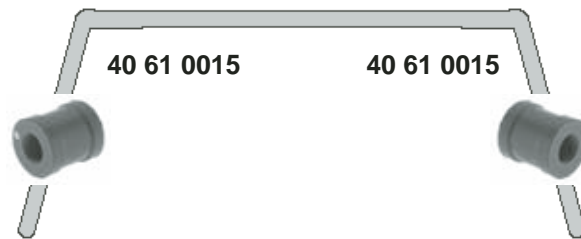
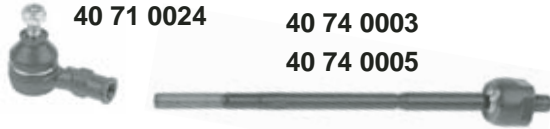
40 60 0001	0352 301	Querlenkerlager / control arm mount		10x35x52
40 60 0021	0353 561	Zugstrebenlager / tension rod mount		14x36/50x40
40 61 0015	0350 127	Stabilisatorlager / stabilizer mount		∅ I 21,5
40 71 0001	0324 050	Spurstangenendstück / tie rod end		M12x1,5 RHT
40 73 0007	0352 002	Querlenker / control arm		
40 73 0008	0352 003	Querlenker / control arm		
40 74 0003	0322 155	Spurstange / tie rod	man. / E - servo	L 325
40 74 0005	0322 158	Spurstange / tie rod	servo	L 300
40 78 0003	1603 187	Traggelenk / ball joint		∅A 15
40 91 9101	0353 281	Halter / retainer	(1)	
40 91 9102	0353 280	Halter / retainer	(1)	



Tigua (1994 → 2000)



(ch.) V 3023598, V 4166926, V 6066280 →



Ref. - No.			
40 60 0001	0352 301	Querlenkerlager / control arm mount	10x35x52 ∅ I 21,5 M12x1,5 RHT
40 61 0015	0350 127	Stabilisatorlager / stabilizer mount	
40 71 0024	0324 066	Spurstangenendstück / tie rod end	man. / E - servo servo
40 73 0013	5352 011	Querlenker / control arm	
40 73 0017	5352 012	Querlenker / control arm	
40 74 0003	0322 155	Spurstange / tie rod	
40 74 0005	0322 158	Spurstange / tie rod	
40 78 0021	1603 202	Traggelenk / ball joint	