



## Polo 4 (2002 →)



man.



30 91 9812



30 92 1700



30 92 1700



30 91 9814



für / to fit servo TRW

30 91 9816



30 92 1700



30 92 1700



30 91 9818



30 91 9812



30 91 9814



- (1) (ch.) 9N-2000001 → 9N-3-190000
- (2) man. (ch.) → 9N-3Y201497
- man. (ch.) → 9N-3D150674

- (3) servo TRW: (ch.) → 9N-3Y201497
- servo TRW: (ch.) → 9N-3D150674



Ref. - No.



30 91 9812	6Q0 423 811	Spurstangenendstück / tie rod end	(2)
30 91 9814	6Q0 423 812	Spurstangenendstück / tie rod end	(2)
30 91 9816	6Q0 423 803 B	Spurstange / tie rod	(1)
30 91 9818	6Q0 423 804 B	Spurstange / tie rod	(1)
30 92 1700	6E0 419 831	Lenkmanschette / steering boot	(3)



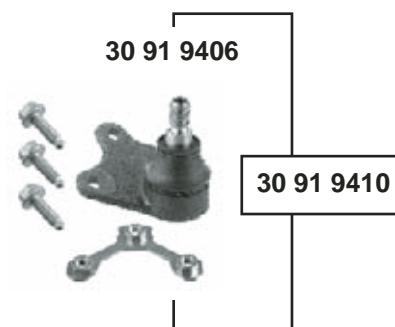
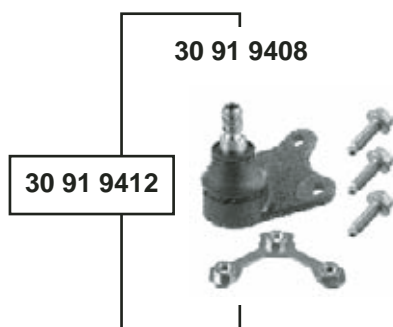
## Polo 4 (2002 → )



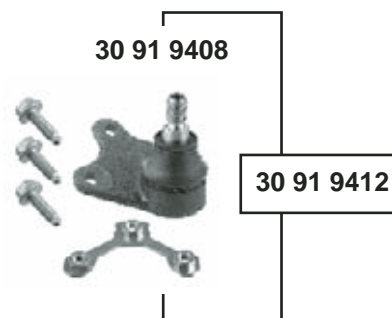
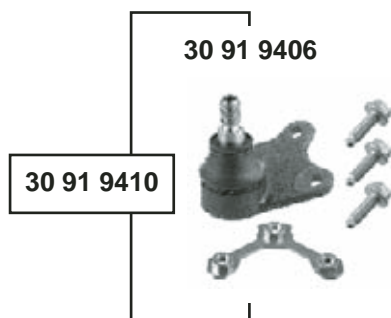
(ch.) 9N-2-000001 →



3 Zylinder 40 kw man.



servo



Ref. - No.



<b>30 91 9406</b>	6Q0 407 365 A	Traggelenk / ball joint
<b>30 91 9408</b>	6Q0 407 366 A	Traggelenk / ball joint
<b>30 91 9410</b>	6Q0 407 365 A S1	Rep. Satz Traggelenk / rep. kit ball joint
<b>30 91 9412</b>	6Q0 407 366 A S1	Rep. Satz Traggelenk / rep. kit ball joint